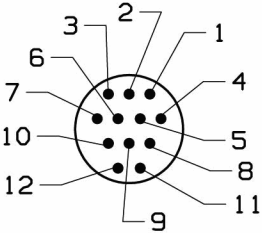


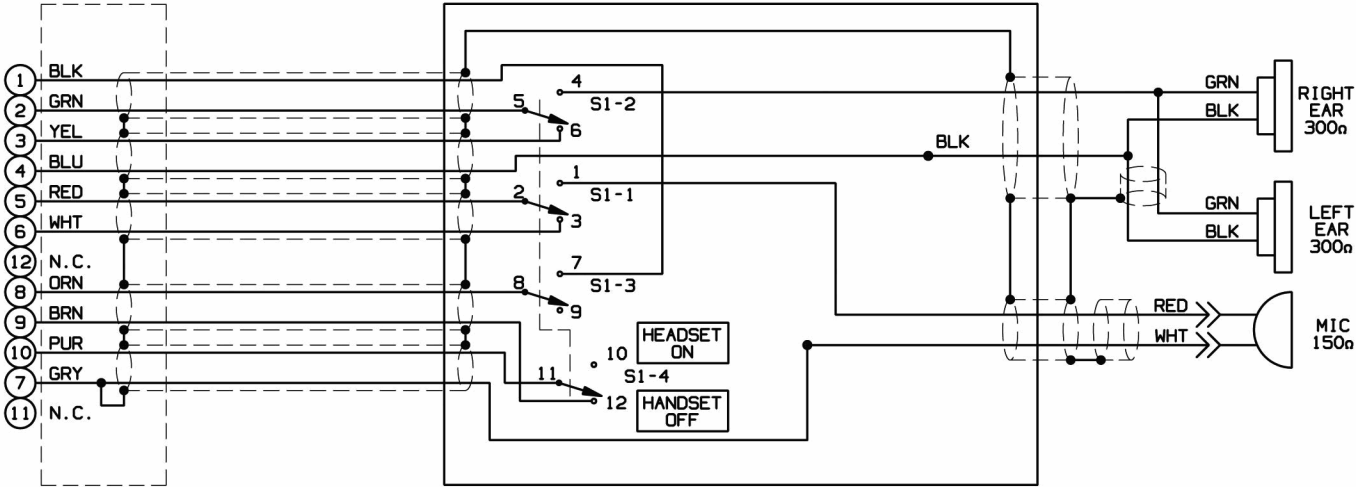
No.	Description	Part No.
1	Spring Assembly	40623G-86
2	Dome, Right	15522P-03
3	Adjustable Strap	10370G-03
4	Overhead Cord Assembly	22607G-01
5	Dome, Left (Mic Side)	15522P-58
6	Cord Assy, Plug, Mic	18804G-23
7	Nut and Washer Kit (10 pk)	12052G-02
8	Boom Guide Kit	12840G-20
9	Mic Boom Assembly	12765G-03

No.	Description	Part No.
10	Filter	11410P-02
11	Earphone Assembly	10376G-32
12	Screw (10/pk)	00023M-08
13	Filter	25629P-05
14	Filter (1 each)	14096P-09
15	Undercut Gel Earseal (pair)	40863G-02
16	Microphone DC-1	09168P-89
17	Comm Cord Assy Kit	41080G-33
18	Mic Protector	40062G-06

ELECTRICAL SCHEMATIC P/N 40878G-04



EXTERNAL PIN VIEW
NJC-2012-PF
NANABOSHI CONN.



NOTE: S1 SHOWN IN HANDSET POSITION