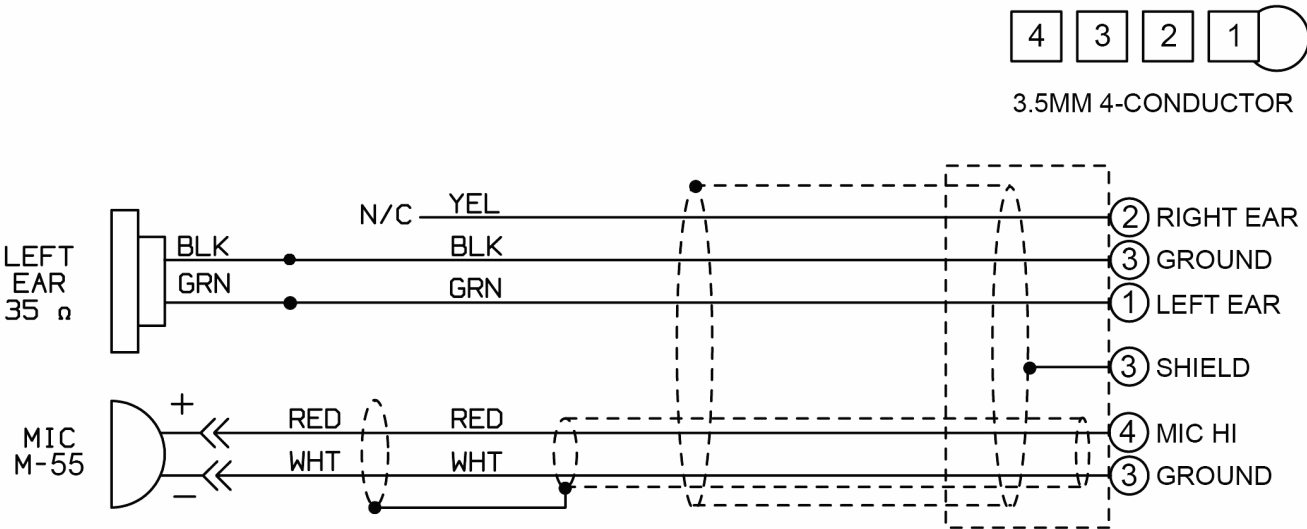


No.	Description	Part No.
1	Undercut Gel Earseal (pair)	40863G-02
2	Filter (1 each)	14096P-09
3	Dome Filter	25629P-03
4	Screw/Grommet Kit (4 pk)	18900G-47
5	Earphone Assembly	10476G-03
6	Filter (1 each)	26475P-08
7	Temple Pad Assy Kit	18900G-37
8	Headpad Assembly	40916G-32
9	Headband Spring	15093P-03

No.	Description	Part No.
10	Stirrup & Clamp Kit	22378G-15
11	Retaining Ring (10/pk)	09464P-10
12	Left Dome	15253P-72
13	Boom Attachment Kit	12840G-19
14	Mic Boom Assembly	18740G-34
15	Microphone M-55-DC	09168P-61-DC
16	Mic Protector w/ O-Ring	40062G-02
17	Comm Cord Kit	41080G-28

ELECTRICAL SCHEMATIC P/N 42020G-02



N/C = NO CONNECTION