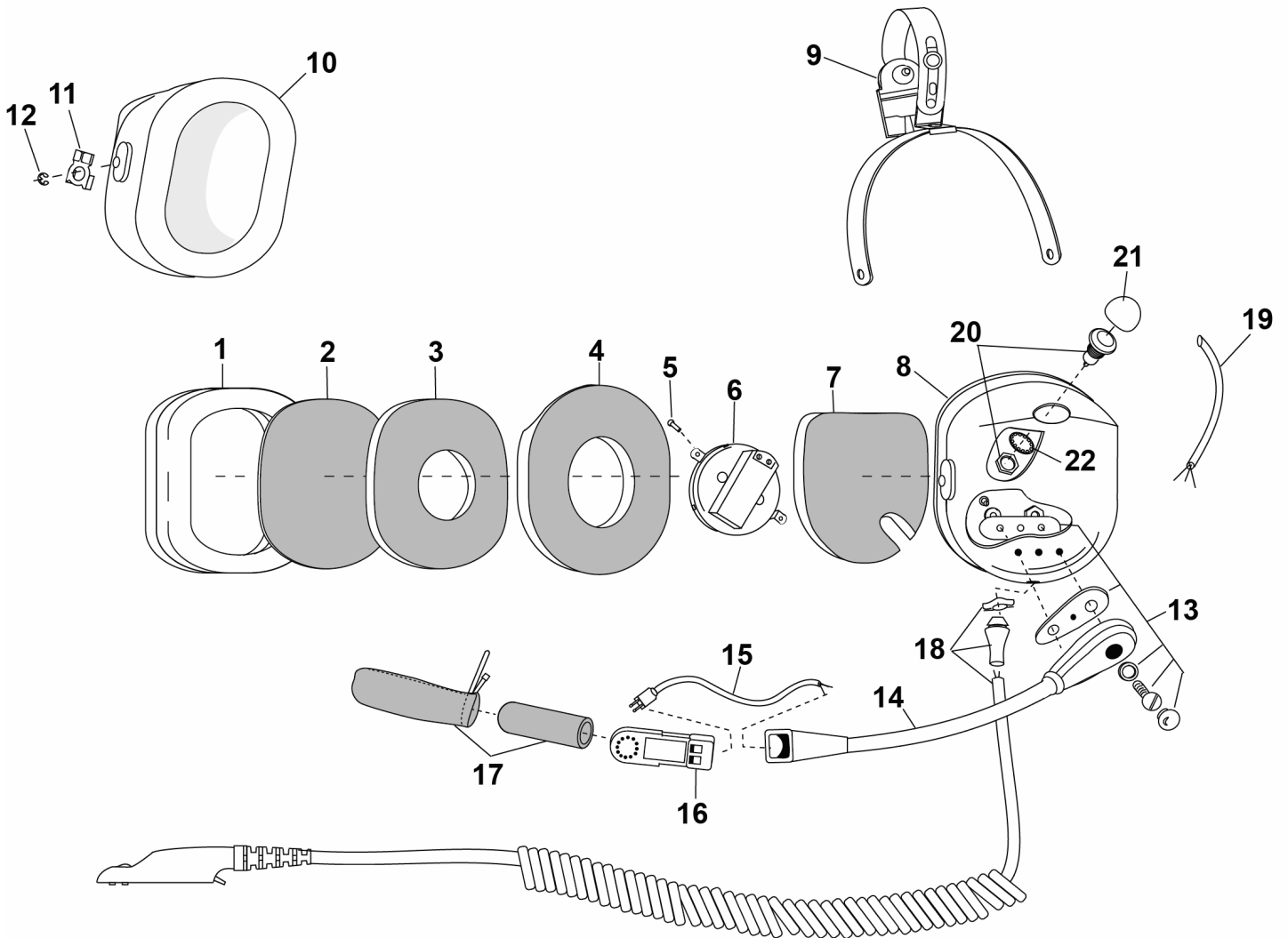


| |
|--|
| PARTS LIST MODEL H6780-51 |
|--|



| No. | Description | Part No. |
|-----|-----------------------------|-----------|
| 1 | Undercut Gel Earseal (pair) | 40863G-02 |
| 2 | Filter (1 each) | 14096P-09 |
| 3 | Dome Filter (1 each) | 14096P-05 |
| 4 | Filter | 25629P-05 |
| 5 | Screw (10/pk) | 00023M-08 |
| 6 | Earphone Assembly | 10476G-02 |
| 7 | Filter | 11410P-02 |
| 8 | Dome, Drilled, Left | 15371P-17 |
| 9 | Attachment Assembly | 18157G-03 |
| 10 | Dome, Stamped, Right | 15371P-18 |
| 11 | Dome Stop | 15097P-01 |

| No. | Description | Part No. |
|-----|--------------------------|-----------|
| 12 | Retaining Ring (10/pk) | 00009M-03 |
| 13 | Boom Attachment Kit | 12840G-07 |
| 14 | Flex Boom Assembly | 18812G-04 |
| 15 | Microphone Plug Cord | 18744G-01 |
| 16 | M-77 Electret Mic | 09168P-35 |
| 17 | Mic Protector/Windscreen | 41090G-05 |
| 18 | Comm. Cord Assy Kit | 41080G-04 |
| 19 | Overhead Cord Assembly | 22607G-01 |
| 20 | Switch, Momentary | 09851P-51 |
| 21 | Sealing Boot, PTT Switch | 13145P-18 |
| 22 | Lock Washer (10/pk) | 41090G-06 |

ELECTRICAL SCHEMATIC
MODEL H6780-51

