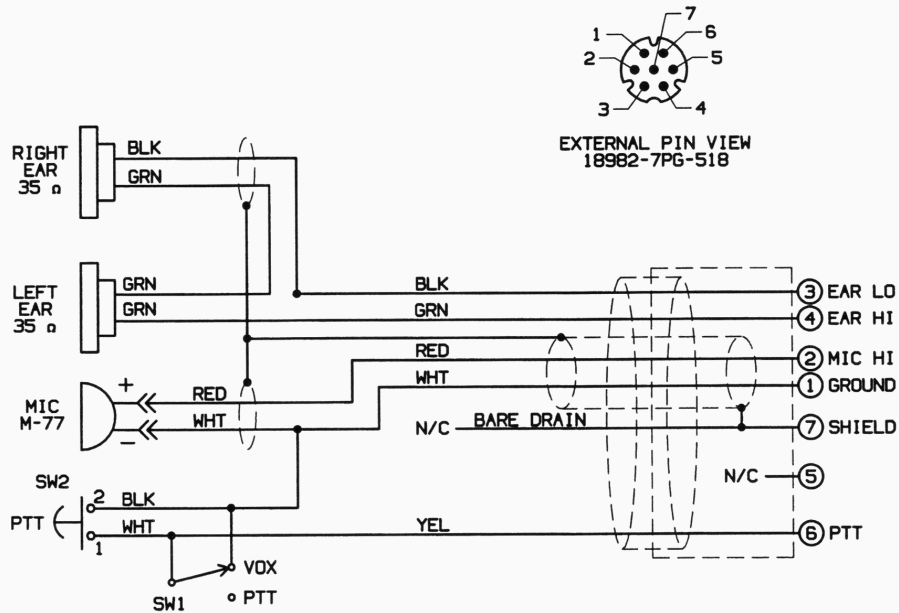


No.	Description	Part No.
1	Undercut Gel Earseal (pair)	40863G-02
2	Filter (1 each)	14096P-09
3	Dome Filter (1 each)	14096P-05
4	Filter	25629P-05
5	Screw (10/pk)	00023M-08
6	Earphone Assembly	10476G-02
7	Filter	11410P-02
8	Dome, Drilled, Left	15371P-15
9	Attachment Assembly	18157G-03
10	Dome, Stamped, Right	15371P-16
11	Dome Stop	15097P-01
12	Retaining Ring (10/pk)	00009M-03

No.	Description	Part No.
13	Boom Attachment Kit	12840G-07
14	Flex Boom Assembly	18812G-04
15	Microphone Plug Cord	18744G-01
16	M-77 Electret Mic	09168P-35
17	Mic Protector/Windscreen	41090G-05
18	Comm. Cord Assy Kit	41080G-13
19	Overhead Cord Assembly	22607G-01
20	Switch, Momentary	09851P-51
21	Sealing Boot, PTT Switch	13145P-18
22	Lock Washer (10/pk)	41090G-06
23	Switch, Toggle	09494P-30
24	Switch Guard	13148P-01

ELECTRICAL SCHEMATIC MODEL H6780-M



Headset-Mic H6780-M Operating Instructions

Setup

Please make sure that the radio on/off switch is in the "OFF" position.
Plug connector end of radio interface cord assembly to the accessory port on the radio.

Push-To-Talk

For push-to-talk operation, place the P.T.T./VOX switch in the P.T.T. mode.
Turn the radio on. (See note above)
The boom mounted microphone should be positioned 0 - 1/8 inch from user's lips. To transmit, press the push-to-talk switch located at the top of the left ear dome.
Release switch to receive transmissions.

VOX Operation

For voice operated transmission, place the P.T.T./VOX switch in the VOX mode.
Turn the radio on. (See note above)
The boom mounted microphone should be positioned 0 - 1/8 inch from user's lips. To transmit, speak clearly into microphone. The transmitter will remain keyed for a short time after speaking. This pause time will allow for radio VOX circuitry to shut off so that transmissions may be received. If system does not operate properly switch radio off. Select operating mode and turn radio on.

If repair is necessary under warranty, the manufacturer's facility, David Clark Company (508-751-5855), will serve as the repair depot. Return the product to the following address (include a brief description of the problem, a return address and daytime phone number):

David Clark Company, Inc.
360 Franklin Street
Worcester, MA 01604