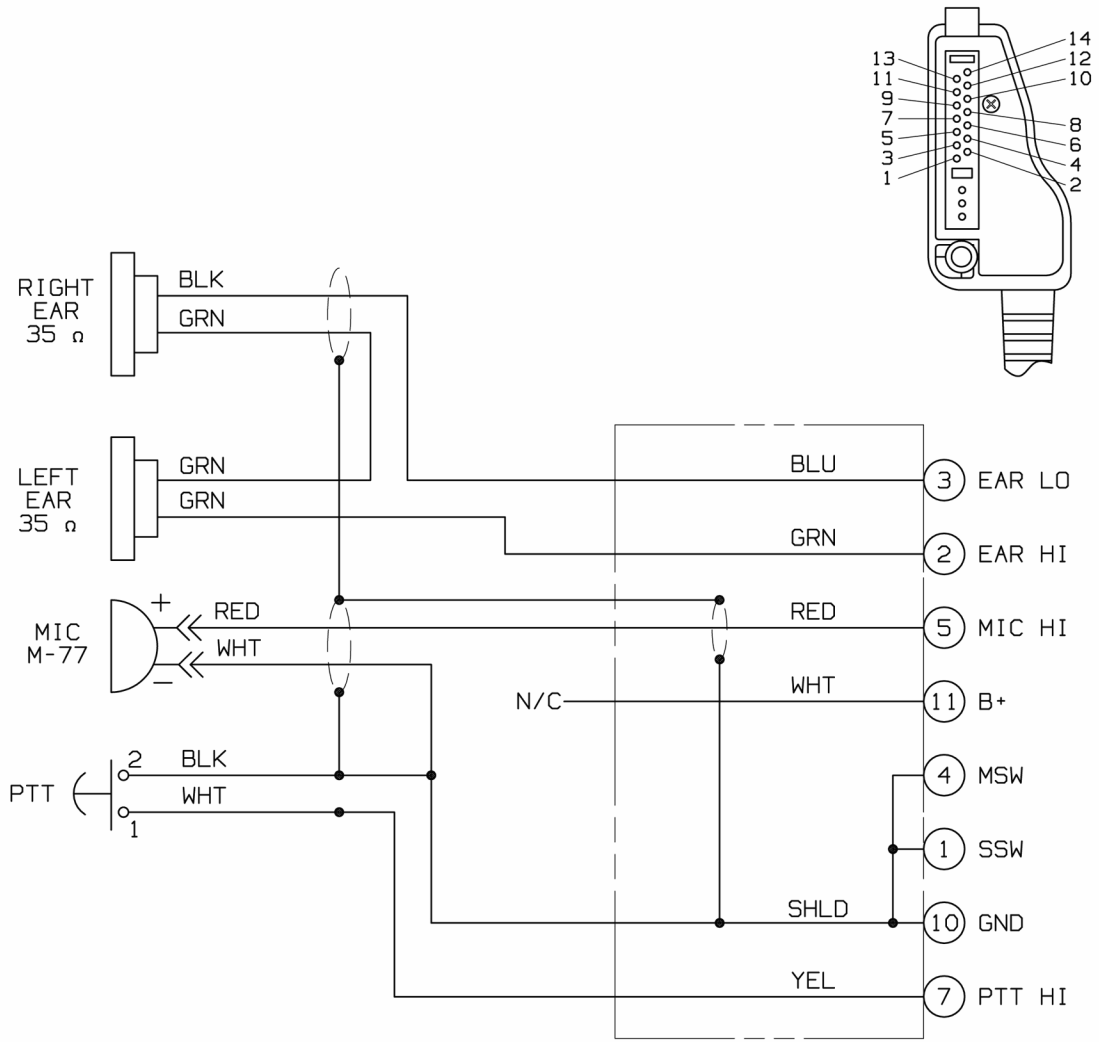


No.	Description	Part No.
1	Adjustable Strap	10370G-03
2	Spring Assembly	40623G-57
3	Right Dome	11407P-94
4	Left Dome (mic side)	11407P-93
5	Overhead Cord Assembly	22607G-01
6	Nut and Washer Kit (10 pk)	12052G-04
7	Filter	11410P-02
8	Earphone Assembly	10476G-02
9	Screw (10/pk)	00023M-08
10	Filter	25629P-05
11	Filter ( 1 each)	14096P-09

No.	Description	Part No.
12	Undercut Gel Earseal (pair)	40863G-02
13	Comm. Cord Assy Kit	41080G-14
14	Boom Attachment Kit	12840G-19
15	Kit, Boom Assembly w/Att.	41090G-12
16	M-77 Electret Mic	09168P-35
17	Mic Protector/Windscreen	41090G-05
18	Dome Filter (1 each)	15545P-01
19	Switch, Momentary	09851P-51
20	Sealing Boot, PTT Switch	13145P-18
21	Lock Washer (10/pk)	41090G-06

# ELECTRICAL SCHEMATIC MODEL H6740-34



N/C-NO CONNECTION