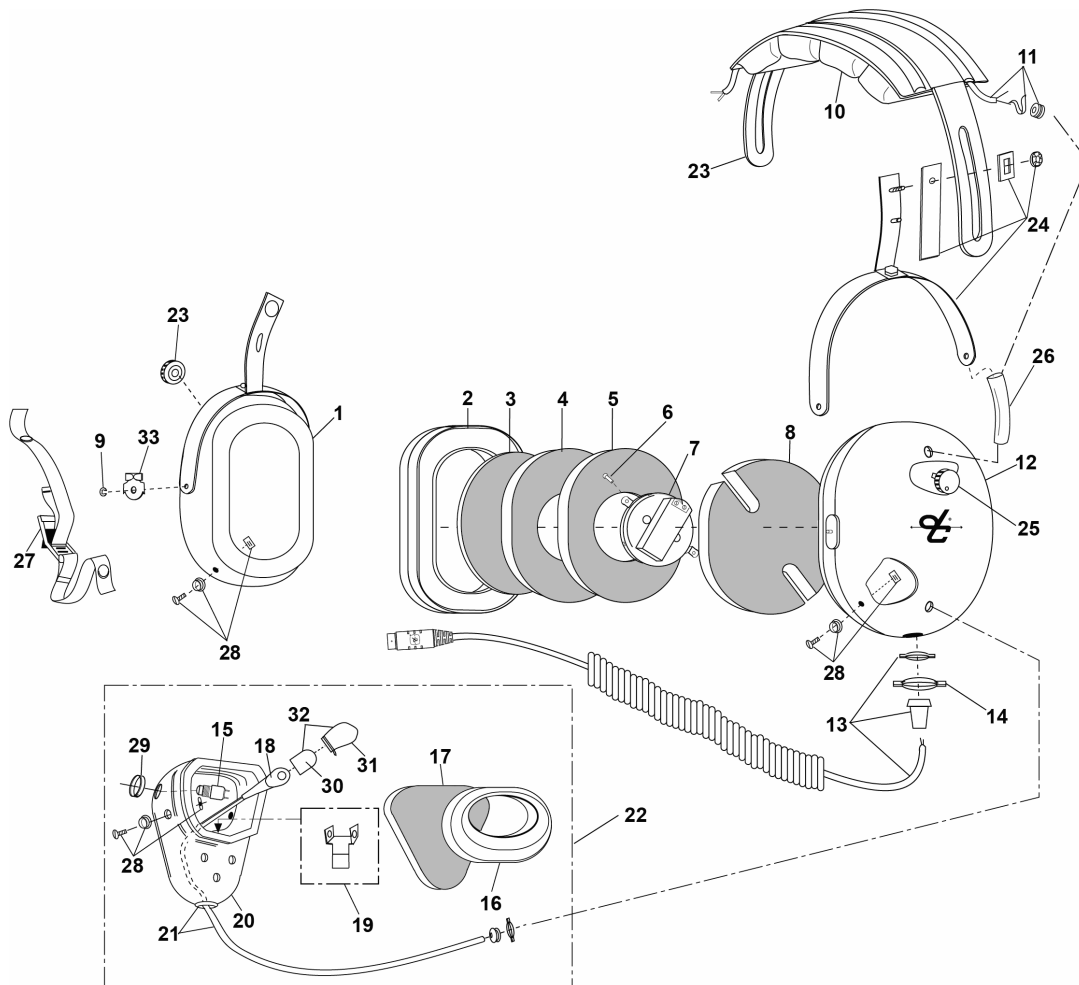


**PARTS LIST
MODEL H9910**


| No. | Description | Part No. |
|-----|-----------------------------|-----------|
| 1 | Dome, Right | 11353P-77 |
| 2 | Undercut Gel Earseal (pair) | 40863G-02 |
| 3 | Filter (1 each) | 14096P-09 |
| 4 | Dome Filter (1 each) | 14096P-05 |
| 5 | Dome Filter | 25629P-03 |
| 6 | Screw (10/pk) | 13180P-07 |
| 7 | Earphone Assembly | 10476G-03 |
| 8 | Dome Filter | 26475P-02 |
| 9 | Retaining Ring (10/pk) | 00009M-03 |
| 10 | Headpad Assy | 40075G-02 |
| 11 | Overhead Cord | 18741G-47 |
| 12 | Dome, Left | 11353P-76 |
| 13 | Comm Cord Assy Kit | 41080G-38 |
| 14 | Clamp, Circle (10/pk) | 24433P-20 |
| 15 | Push-To-Talk Switch | 26619P-29 |
| 16 | Cushion, Mic Shield Assy | 18417G-02 |
| 17 | Mic Shield Filter (1 each) | 24653P-02 |

| No. | Description | Part No. |
|-----|------------------------------|-----------|
| 18 | Microphone M-2H 5 OHM | 09168P-75 |
| 19 | Microphone Bracket Assy Kit | 18317G-02 |
| 20 | Microphone Shield | 11389P-22 |
| 21 | Microphone Cord Assembly | 18867G-25 |
| 22 | Shield Assy with Microphone | 18226G-11 |
| 23 | Headband Spring | 15093P-01 |
| 24 | Stirrup Assembly | 22378G-01 |
| 25 | Volume Control | 09349P-57 |
| 26 | Heat Shrink Tube (10/pk) | 18326G-02 |
| 27 | Adjustable Strap Assembly | 10479G-02 |
| 28 | Snap Stud Kit | 18314G-02 |
| 29 | Guard, Push Button | 26553P-01 |
| 30 | Screen, Wind, Mic | 15074P-08 |
| 31 | Windscreen Cover w/Tie | 18792G-03 |
| 32 | Mic Protector/Windscreen Kit | 41090G-20 |
| 33 | Dome Stop | 15097P-01 |

ELECTRICAL SCHEMATIC MODEL H9910

