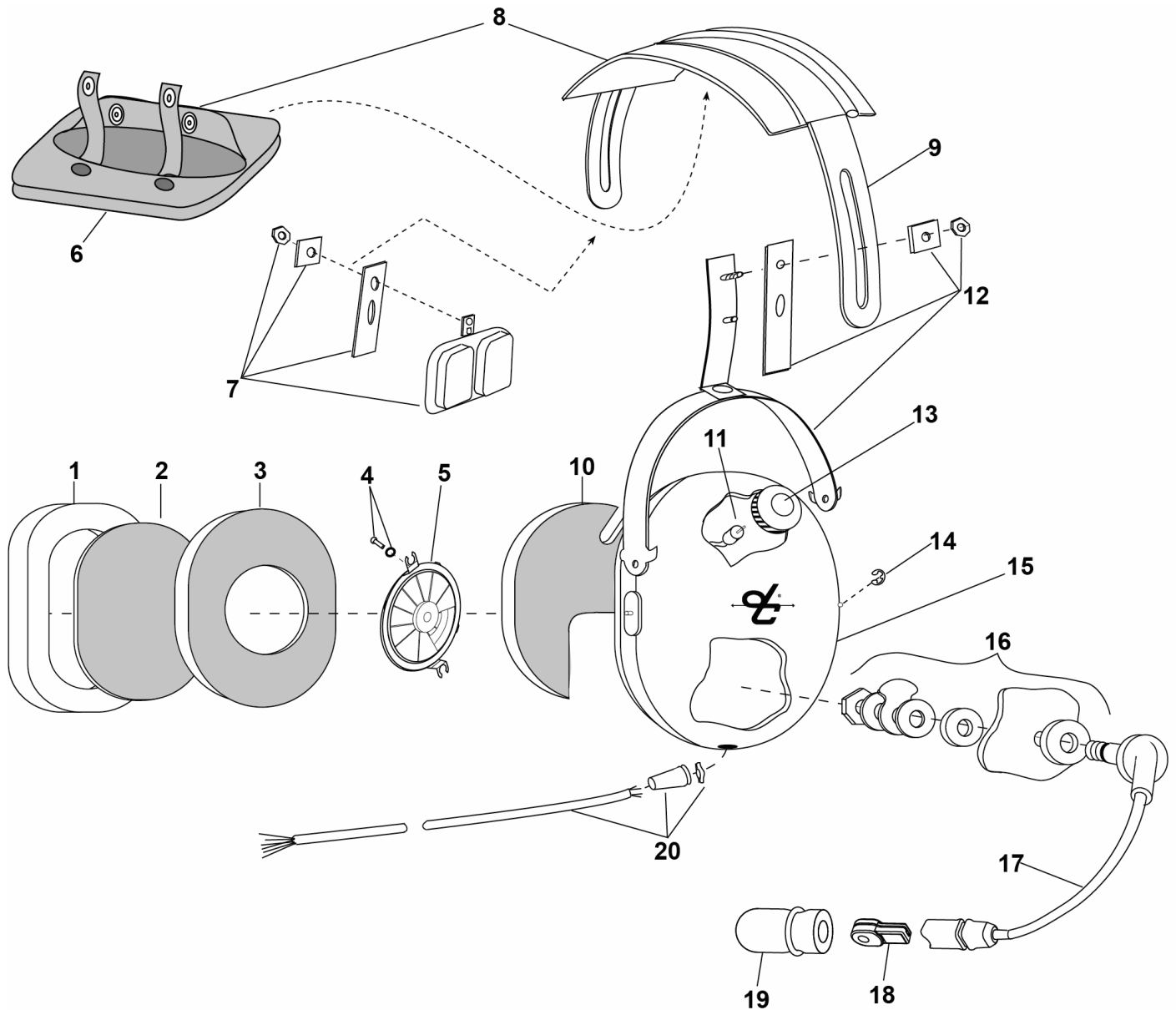


PARTS LIST MODEL H8590



No.	Description	Part No.
1	Undercut Gel Earseal (pair)	40863G-02
2	Filter (1 each)	14096P-09
3	Dome Filter	25629P-03
4	Screw/Grommet Kit (4 pk)	18900G-47
5	Earphone Assembly	10376G-89
6	Headpad Restraint, Foam	40266G-01
7	Temple Pad Assy Kit	18900G-37
8	Headpad Assembly	18900G-45
9	Headband Spring	15093P-03
10	Filter (1 each)	26475P-08

No.	Description	Part No.
11	Volume Control	09349P-34
12	Stirrup & Clamp Kit	22378G-15
13	Volume Control Knob	15109P-01
14	Retaining Ring (10/pk)	00009M-03
15	Left Dome	15253P-10
16	Boom Attachment Kit	12840G-19
17	Mic Boom Assembly	18740G-34
18	Microphone M-2H (150 OHM)	09168P-76
19	Mic Protector	40062G-06
20	Comm Cord Kit	18028G-84

ELECTRICAL SCHEMATIC MODEL H8590

