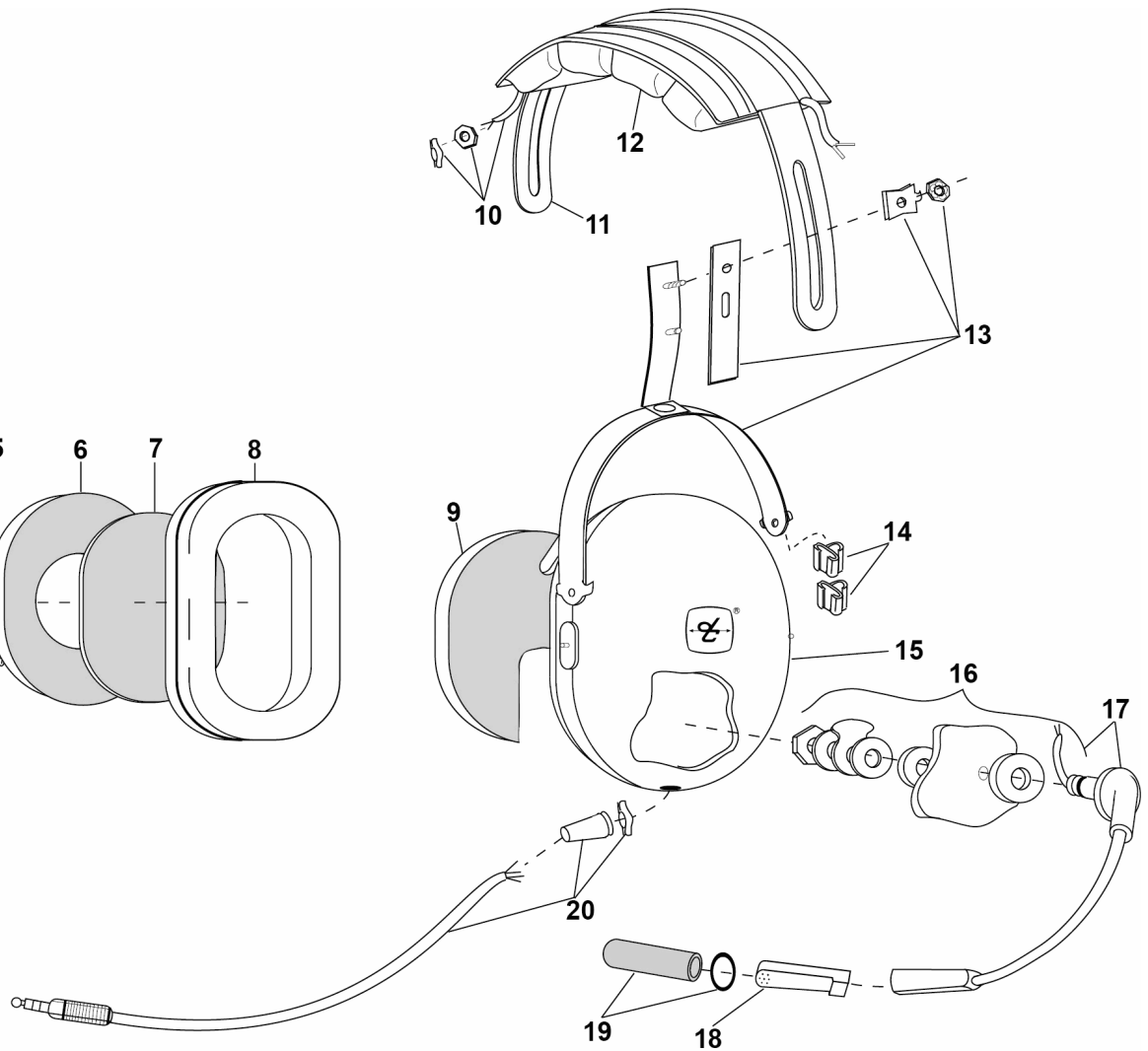
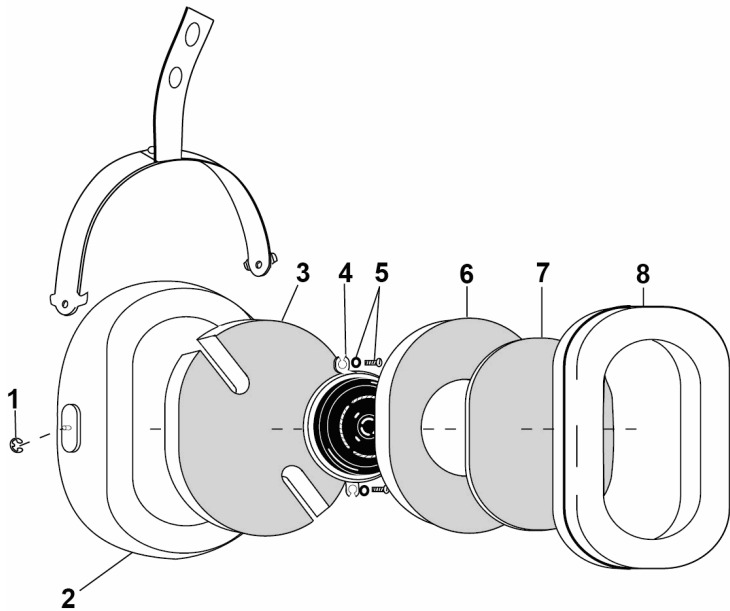


<b>PARTS LIST</b> <b>MODEL H6030</b>
---



No.	Description	Part No.
1	Retaining Ring (10/pk)	00009M-03
2	Right Dome	11696P-12
3	Dome Filter	26475P-02
4	Earphone Assembly	10376G-89
5	Screw (10/pk)	13180P-06
6	Dome Filter	25629P-03
7	Filter ( 1 each)	14096P-09
8	Earseal (pair)	18316G-02
9	Filter (1 each)	26475P-08
10	Overhead Cord	18741G-48

No.	Description	Part No.
11	Headband Spring	15093P-01
12	Headpad Assy	40075G-02
13	Stirrup & Clamp Kit	22378G-08
14	Clip, Cord (4/pk)	15125P-02
15	Left Dome	11696P-48
16	Boom Attachment Kit	12840G-19
17	Kit, Boom Assembly w/Att.	41090G-12
18	M-77 Electret Mic	09168P-35
19	Mic Protector w/ O-Ring	40062G-02
20	Communication Cord Assy Kit	18028G-80

ELECTRICAL SCHEMATIC  
MODEL H6030

