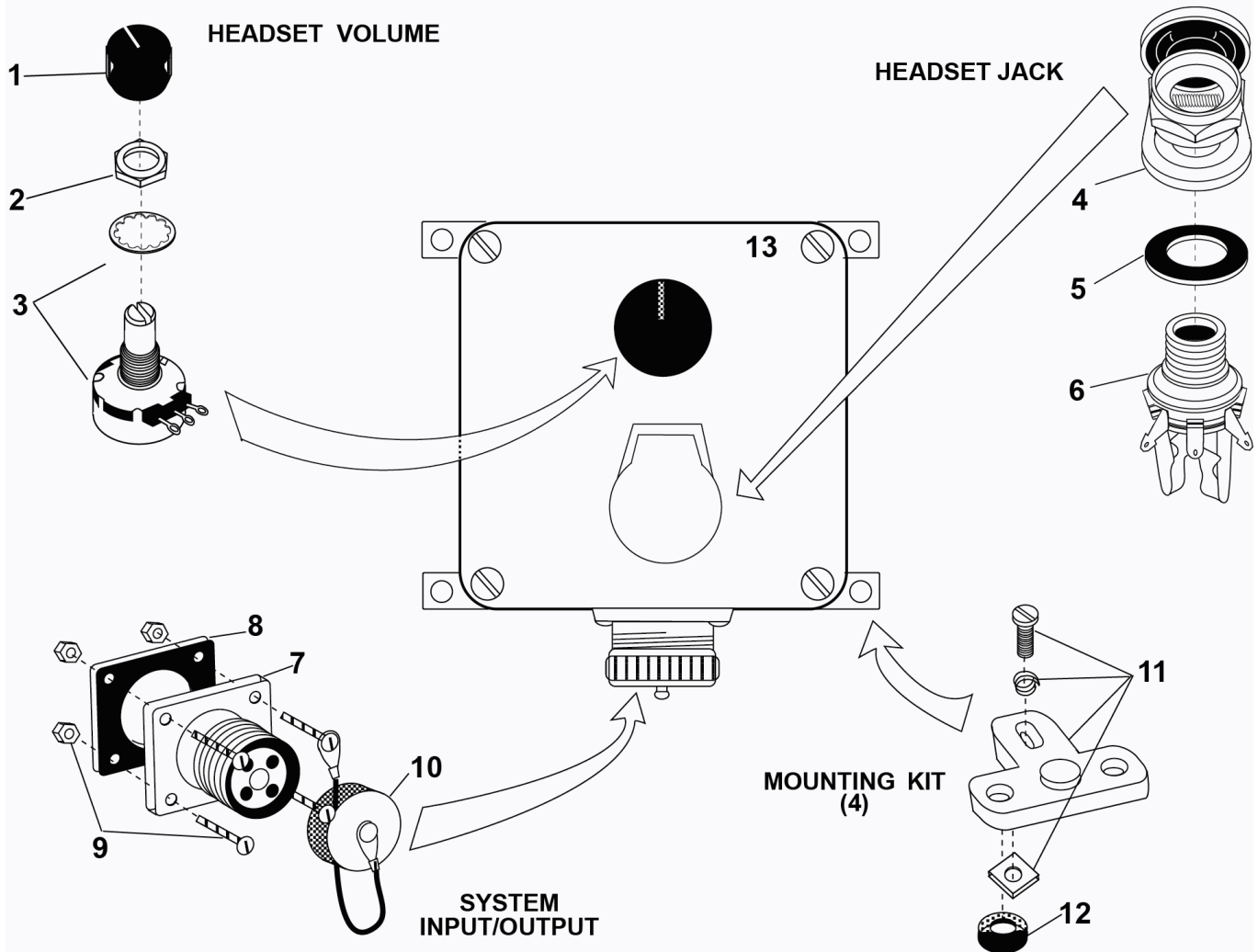
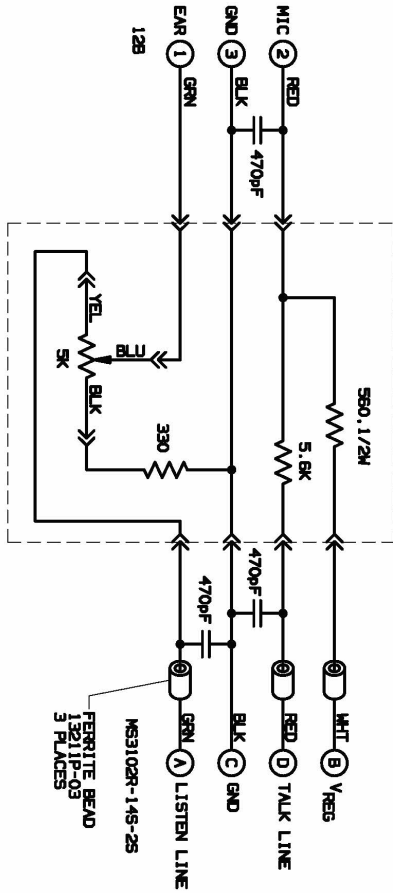


**PARTS LIST  
MODEL U3801**


No.	Description	Part No.
1	Knob	09347P-15
2	Shaft Seal Nut	13145P-34
3	Volume Control	09349P-30
4	Jack Cover (with Nut)	09518P-04
5	Neoprene Washer (10/pk)	18900G-39
6	Headset Jack	09228P-03
7	Connector (4 socket)	00084M-04

No.	Description	Part No.
8	Gasket	13176P-03
9	Screws and Nuts (4 ea.)	18900G-01
10	Cap (and nylon cord)	13238P-01
11	Mounting Kit	09865P-03
12	Grommet (4 ea.)	18900G-08
13	Box	26497P-04

# ELECTRICAL SCHEMATIC MODEL U3801



REVISIONS			
SYM	DESCRIPTION	DATE	APPROVED
A	SEE ECN 10314	17 MAR 89	BRO LEP
B	SEE ECN 12781	01 OCT 01	JD DPC
C	SEE ECN 13795	22 APR 08	DL MB

NOTES:  
1. ALL RESISTORS ARE IN OHMS, 1/4 WATT, 5% TOLERANCE, UNLESS OTHERWISE SPECIFIED.  
DO NOT SCALE DRAWING

UNLESS OTHERWISE SPECIFIED: FINAL FINISH		✓ ALL OVER	
ALL DIMENSIONS APPLY AFTER BREAK REMOVE ALL BURRS AND BREAK SHARP			
MATERIAL			
TREATMENT			
FINISH			
NEXT ASSY	USED ON	NEXT ASSY	QTY REQ'D
APPLICATION		TOLERANCES UNLESS OTHERWISE SHOWN	
		FRACTIONS DECIMALS ANGLES	
		± ± ±	

QTY	SYM	PART NO.	DESCRIPTION	MATERIAL	SPECIFICATION
			LIST OF MATERIALS		

DRAFTER	L. E. FAIRBANKS	DATE	25 SEP 84
CHECKER	D. A. FRANKIN	DATE	04 OCT 84
ENR. APPROVAL	J. BERGIN	DATE	05 OCT 84
	E. J. COLLINS	DATE	15 JUN 85

19505P-46  
(10-01)

© 2001 David Clark Company Incorporated

CODE IDENT. NO.	71483	SIZE	B	DRAWING NO.	EL18746G-01	REV	C
CONTRACT NO.							
SCALE				MT.			

**David Clark COMPANY INC.**  
WIRING DIAGRAM  
SCHEMATIC  
MODEL U3801  
WORCESTER, MA 01615-0054