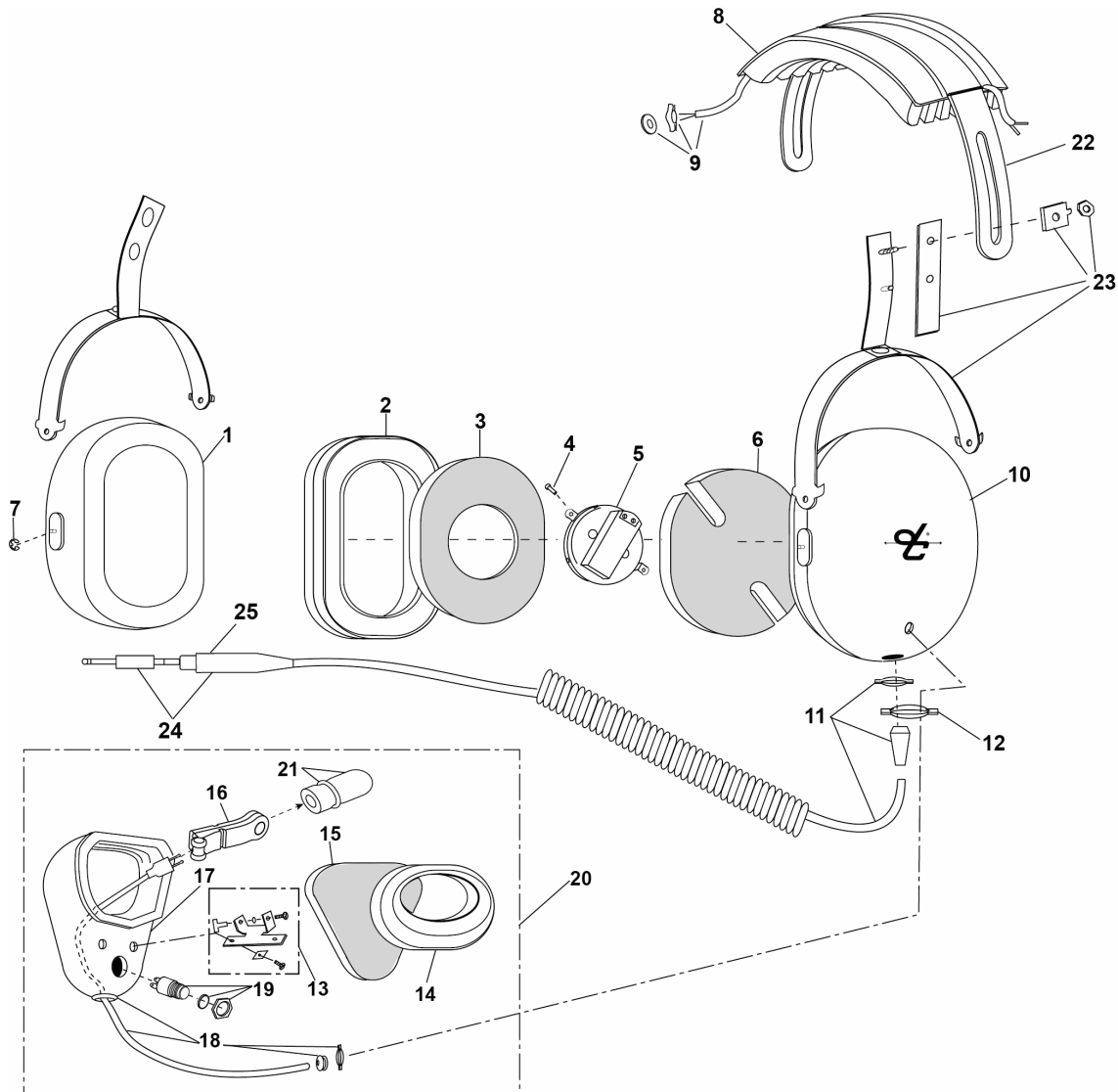


PARTS LIST
P/N 12515G-15


No.	Description	Part No.
1	Dome, Right	11353P-24
2	Earseal (pair)	18316G-02
3	Dome Filter	25629P-03
4	Screws (10/pk)	13180P-03
5	Earphone Assembly	10376G-17
6	Dome Filter	26475P-02
7	Retaining Ring (10/pk)	00009M-03
8	Headpad Assembly	10133G-41
9	Overhead Cord Assembly	22607G-01
10	Dome, Left	11353P-23
11	Comm Cord Assembly Kit	18028G-50
12	Clamp (10/pk)	24433P-10
13	Microphone Bracket Assy Kit	18317G-02

No.	Description	Part No.
14	Cushion, Mic Shield Assy	18417G-02
15	Mic Shield Filter (1 each)	24653P-02
16	Microphone DC-1A	12948G-15
17	Microphone Shield	11389P-28
18	Microphone Cord Assembly	18315G-02
19	Push-To-Talk Switch	26619P-29
20	Shield Assy with Microphone	18226G-19
21	Mic Protector	40062G-06
22	Headband Spring	15093P-02
23	Stirrup & Clamp Kit	22378G-08
24	Kit, 1/4" Plug, Commercial, Stereo	41090G-32
25	Bend Relief Sleeve (10/pk)	23100G-06

ELECTRICAL SCHEMATIC
P/N 12515G-15

