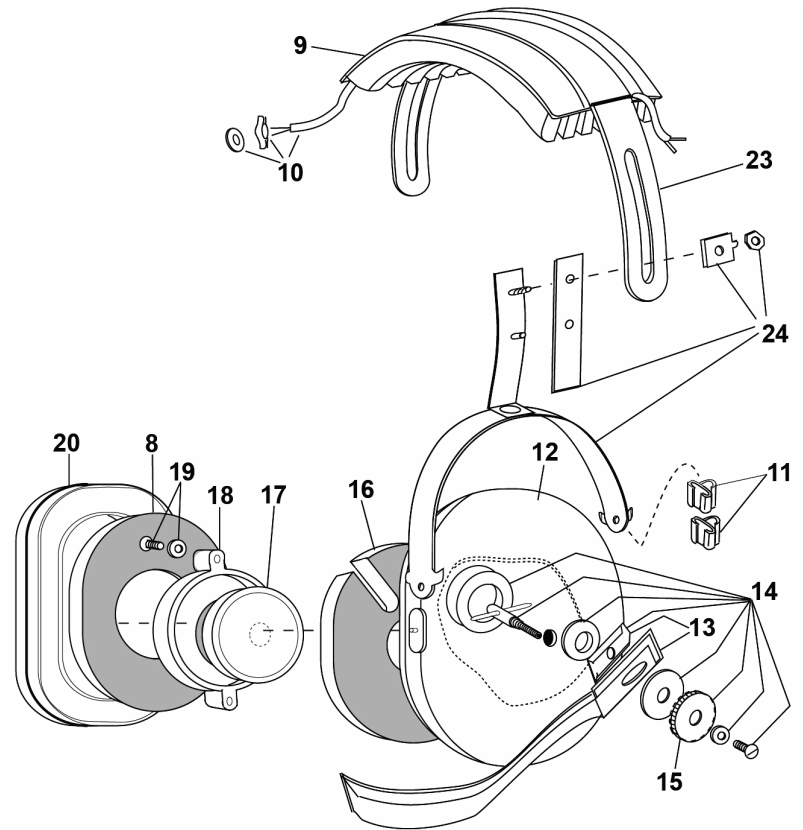
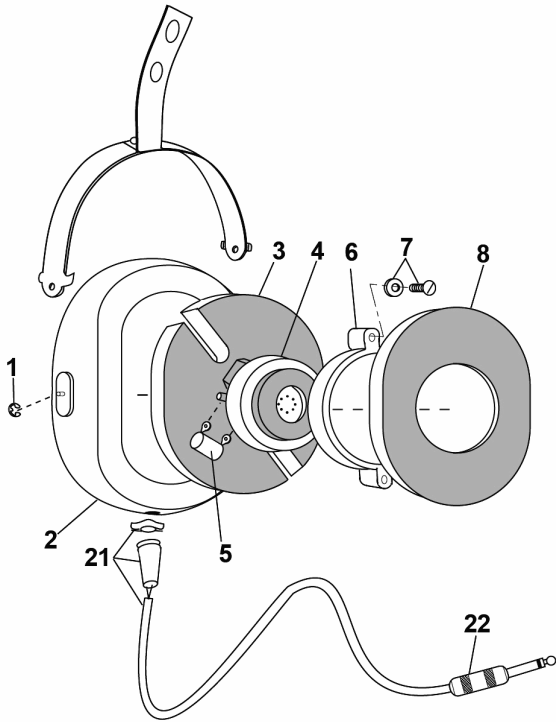


**PARTS LIST
MODEL H5030**


No.	Description	Part No.
1	Retaining Ring (10/pk)	00009M-03
2	Dome, Right	11696P-09
3	Dome Filter	26475P-02
4	Earphone Assembly	10376G-05
5	Capacitor with Terminals	18069G-01
6	Receiver and Mic Holder	25669P-01
7	Screw & Washer Kit (10/pk)	18338G-01
8	Dome Filter (1 each)	14096P-05
9	Headpad Assembly	10133G-41
10	Overhead Cord Assembly	22607G-01
11	Clip, Cord (4/pk)	15125P-02
12	Dome, Left (Mic side)	11696P-10

No.	Description	Part No.
13	Acoustical Voice Tube & Holder	18900G-29
14	Voice Tube Mount Kit	12323G-02
15	Thumb Nut	11364P-01
16	Dome Filter (1 each)	26475P-05
17	Earphone Assembly	16100G-01
18	Receiver & Mic Holder	17001P-01
19	Screw & Washer Kit (10/pk)	18338G-03
20	Earseal (pair)	18316G-02
21	Comm Cord Assy Kit	18028G-17
22	Connector, Electrical M642/4-3	09227P-42
23	Headband Spring	15093P-02
24	Stirrup & Clamp Kit	22378G-08

ELECTRICAL SCHEMATIC
MODEL H5030

