



C3019A Belt Station Adapter

DESCRIPTION

The Model C3019A Utility Radio Adapter provides interface between any David Clark Series 3000 Noise Attenuating Headset and a mobile radio system. It's compatible with most mobile radios requiring carbon equivalent microphones. If the radio does not provide DC bias on the microphone audio line, switched battery voltage (13.8 V.D.C.) is required at radio options connector.

The adapter is generally attached to the wearer's belt but can be used in any convenient location. Select a location that allows freedom of movement while providing access to the PTT switch.

Note: The C3019A is not interchangeable with existing C3019 installations as the connector and vehicle wiring requirements are different.

FEATURES AND BENEFITS

- Push-to-Talk Switch with optional off-hook revert function of the radio's scan feature
- 7 Pin Screw-on MS Connector prevents accidental disconnect
- Rugged RFI Shielded Coil Cord - 15' extended
- Listen Level Control, detented
- Sturdy Belt Clip

TECHNICAL DATA



H3000 Series Headset + C3019A Adapter + Connector Kit + Wire + Radio

The C3019A requires a technician to wire a cable to the back of the radio at its accessories connector. The other end of the wire connects to a panel mount connector. Mounting and wiring information is on page two of this document.

Each individual radio has its own set up for the accessories connector and this information can be obtained from the radio's service and/or operator manual(s). The C3019A then plugs into the panel mount connector.

In order to properly install this adapter you will need the following parts:

- 18352G-23 Connector Kit for bulkhead mounting
- 09461P-07HA000 8 Conductor Shielded Cable (per foot), or...
- 09271P-13HA000 6 Conductor Cable (per foot)
- 13238P-07 Protective cap (Optional)

Housing: All metal, affords RFI protection (3 1/4"L x 2 1/4"W x 1"D)

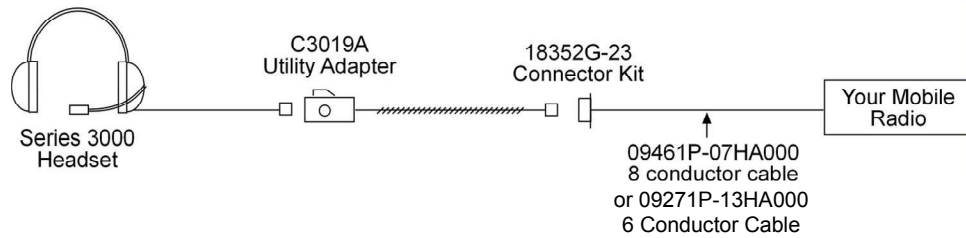
Adapter Coil Cord: Heavy-duty coil cord nominal 38" retracted, 15' extended, with rugged MS threaded connector.

Headset Connector: 1/4" phone jack mates with 1/4" phone plug on 3000 Series Headset cord.

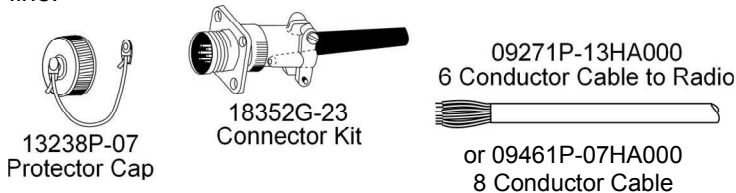
PTT Switch: Single-step, momentary action, waterproof and dust tight. Operating force 4 lbs max. with 100,000 cycle life.

TECHNICAL DATA

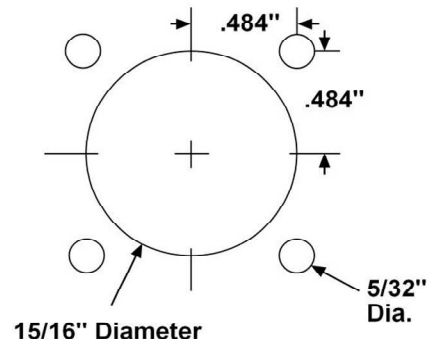
Typical System Configuration



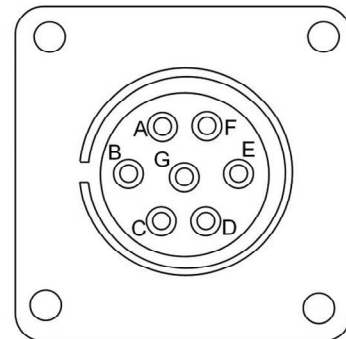
The Model C3019A works with most Land Mobile Radios having a common GND (Ground) for both the mic line and the PTT line. It requires that 13.8 V.D.C. be provided from a switched, filtered voltage supply source. For normal operation, this supply source should be connected to pin G on the adapter MS connector. The internal 4PDT switch is factory-set to interface with radios that do not provide enough D.C. bias voltage to drive the microphone. However, this switch may be actuated to its other position to allow the adapter to interface with radios that do provide enough mic bias (8-16 V.D.C. through 470Ω to 560Ω resistor) voltage on the mic line.



18352G-23 Connector Kit Mounting Information Hole Spacing (Actual Size)



FRONTVIEW (OVER SIZE)



- An internal trimmer pot is also included to adjust the TX mic audio signal to the required level.
- Use of the adapter will have a negligible impact on vehicle battery life; however, adapter power should always be switched off when the vehicle is turned off.
- An optional off-hook revert function of the radio's scan feature is provided.
- The adapters are lightweight, belt-worn units incorporating a permanently attached radio interface cord, Push-To-Talk (PTT) switch with off-hook revert function, listen volume control, and quick-disconnect connector for the headset cord.

<u>PIN</u>	<u>FUNCTION</u>	<u>09461P-07 WIRE COLOR</u>	<u>09271P-13 WIRE COLOR</u>
A	Mic Hi	Red	Red
B	GND	White	White
C	PTT Hi	Orange	Yellow
D	Ear Lo	Clear	Black
E	Ear Hi	Green	Green
F	Hook	Blue	N.C.
G	V+	Yellow	Blue

Optional connection to be used when hook-switch is needed.
N.C. = No Connection.