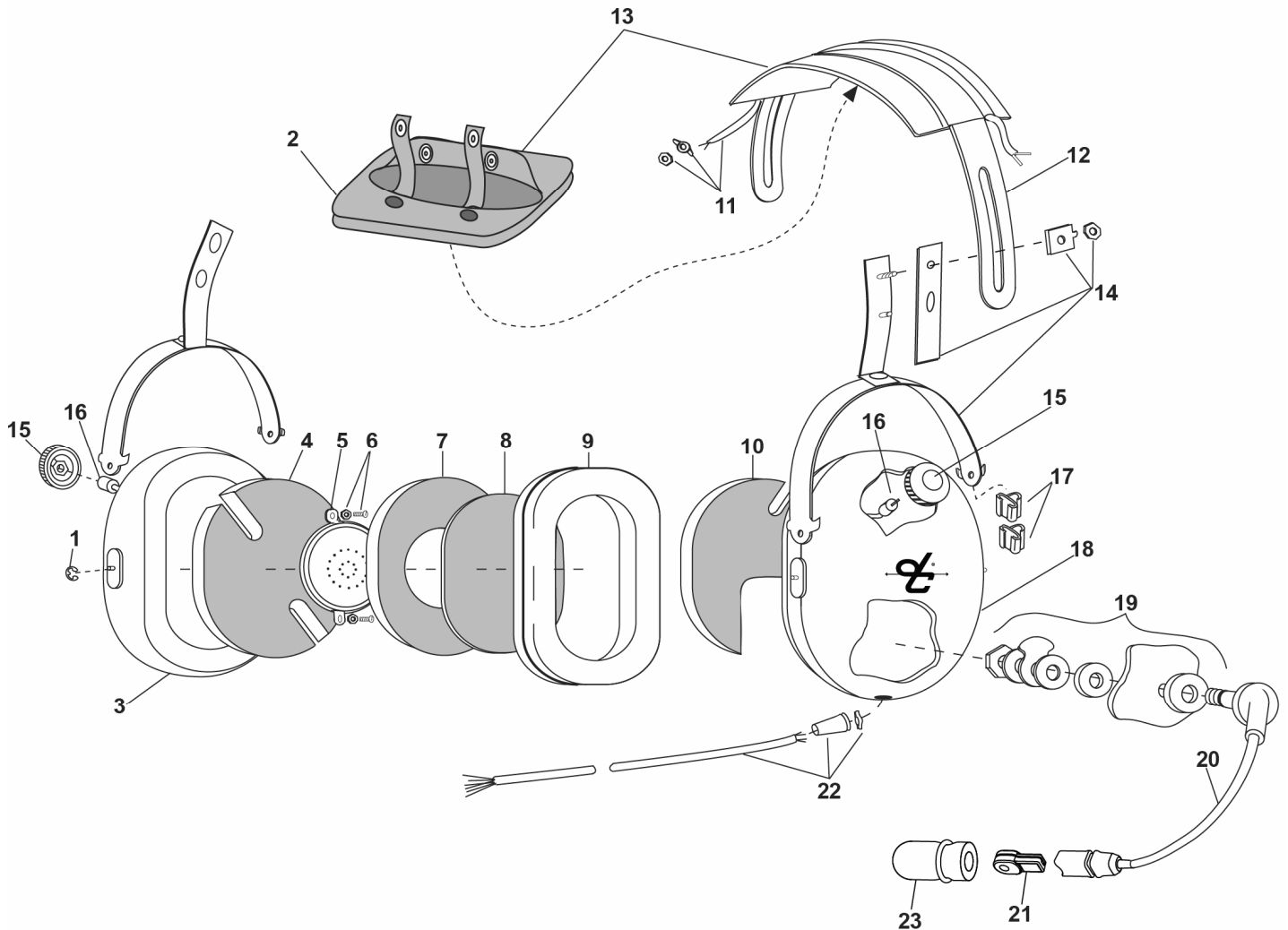


**PARTS LIST
MODEL H8530**


No.	Description	Part No.
1	Retaining Ring (10/pk)	00009M-03
2	Headpad Restraint, Foam	40266G-01
3	Right Dome	15253P-08
4	Dome Filter	26475P-02
5	Earphone Assembly	10376G-89
6	Screw/Grommet Kit (4 pk)	18900G-47
7	Dome Filter	25629P-03
8	Filter (1 each)	14096P-09
9	Undercut Gel Earseal (pair)	40863G-02
10	Filter (1 each)	26475P-08
11	Overhead Cord	18741G-44
12	Headband Spring	15093P-03

No.	Description	Part No.
13	Headpad Assembly	18900G-45
14	Stirrup & Clamp Kit	22378G-15
15	Volume Control Knob	15109P-01
16	Volume Control	09349P-34
17	Clip, Cord (4/pk)	15350P-02
18	Left Dome	15253P-03
19	Boom Attachment Kit	12840G-19
20	Mic Boom Assembly	18740G-34
21	Microphone M-2H (150 OHM)	09168P-76
22	Comm Cord Kit	40599G-43
23	Mic Protector	40062G-06

ELECTRICAL SCHEMATIC MODEL H8530

