

**C98-20PW
POWER CABLE
P/N 40892G-02
INSTALLATION SHEET**

The C98-20PW is a 20-foot cable used to provide power to the Series 9800 Marine Intercom System. It has a connector on one end and the other end requires the installer to prepare. It is important to choose a power “pick-off” point which can provide 2 amperes of current at a voltage between 11-30VDC. Direct connection to a 2-Amp fuse/circuit-breaker is preferred. The C98-20PW is also used to power the U9925-GEM Gateway Expansion Module (See U9925-GEM User Manual for instructions.)

Parts/Tools Required

- C98-20PW Power Cable (40892G-02)
 - Includes David Clark 2-Amp Fuse kit (40688G-47)
- Power pick-off point (circuit breaker/Fuse box, 11-30VDC)
- Soldering iron/Solder
- Wire terminals
- Wire cutters/ Wire strippers
- Tape Measure
- Wire ties

Procedure

- Determine the location of a 2-Amp circuit breaker to be used and how to connect to it (solder, screw terminals, lugs, etc).
- If only a higher-amperage circuit breaker is available, it may be used, but the David Clark 2-Amp Fuse Kit must also be used.
- Determine the location of the 11-30VDC and Ground pick-off points.
- Determine the path of the cable between the power source and the Master Station. The cable should be routed using under-deck conduits and be as far as possible from radio antenna coax cables and anywhere water may collect.
- Measure the length of cable necessary, adding 3 ft as a service loop.
- If necessary, trim the length of the cable to the length you just determined in the previous step. Be sure to trim the UN-PREPARED end of the cable.
- Route the cable. Use wire ties where necessary.



Figure 1: C98-20PW Power Cord Schematic Diagram

- ❑ Connect the cable to the jack on the Master Station labeled “Power Cable”, see **Figures 3&4**. To connect the cable to the Master Station, align keyways and push. Then firmly turn collar clockwise until it locks into place. Pull back gently on the cable to ensure connector is properly locked.

Before continuing, ensure that power is shut off to the point where you are going to connect the power cable!

- ❑ Using the wire cutters and wire strippers, prepare the end of the cable as necessary for your installation (**Figure 2**).
- ❑ If using the David Clark 2-Amp Fuse Kit, please see **Page 4** for assembly instructions.
- ❑ Connect the cable to the power source
 - Connect the RED to the positive (+) terminal.
 - Connect the BLACK and SHIELD to the negative (-) terminal.

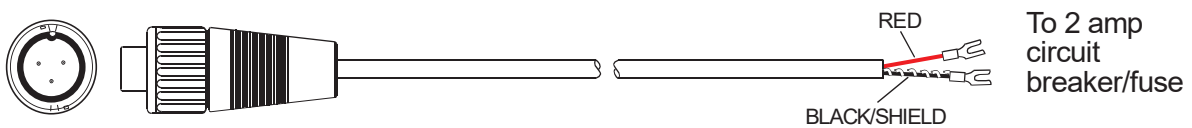


Figure 2: C98-20PW Power Cable

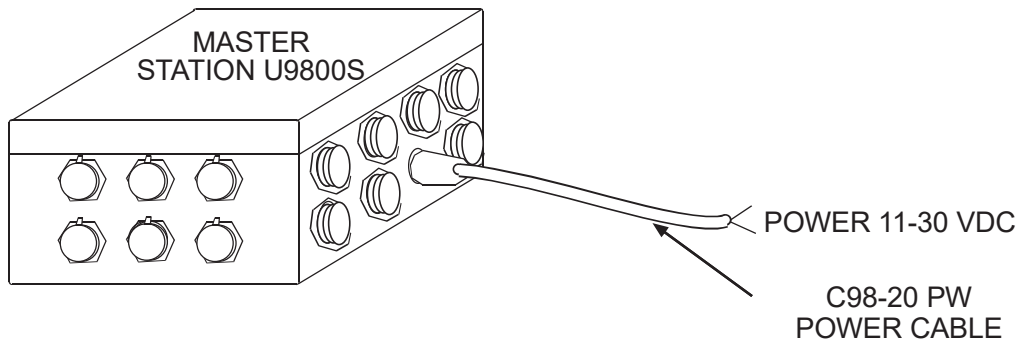


Figure 3: Master Station Power Cable Connection

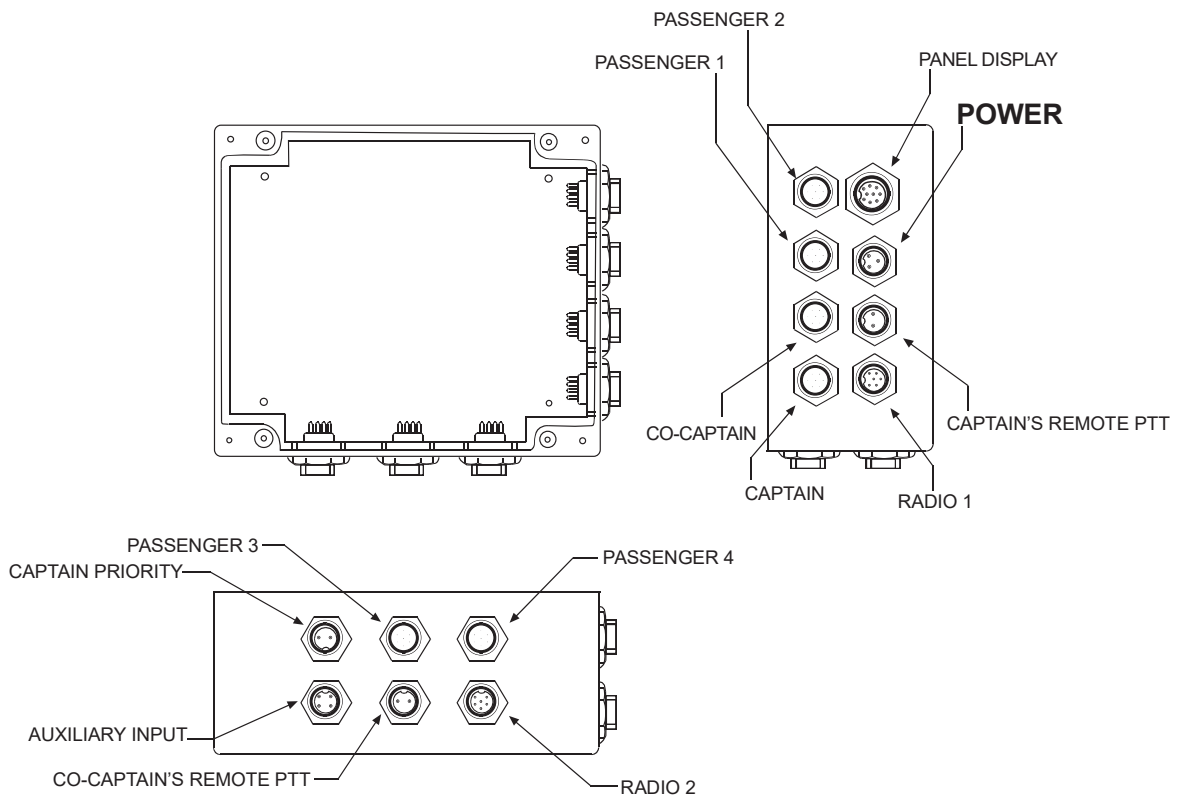


Figure 4: Master Station Connections

**INSTALLATION INSTRUCTIONS
C98-20PW POWER CORD
WATERPROOF IN-LINE FUSEHOLDER
AND 2 AMP SLOW BLOW FUSE
P/N 40688G-47**

DESCRIPTION

- One piece molded thermoplastic
- Temperature range -20°C to +70°C
- Weather resistant
- Vibration and shock resistant
- Withstands harsh environments (water, salt spray, ultraviolet light, ozone, organic solvents)

INSTALLATION

1. Using a heat gun, install 1/8" diameter heat shrink tubing* over one end of the 4" red wire (supplied). Install the second piece of 1/8" diameter heat shrink tubing over the red wire on the cable.
2. Thread red wire of power cord with heat shrink tubing* into one end of fuseholder P/N 09487P-09.
3. Thread the heat shrink end of the 4 inch red wire supplied with fuseholder into other end of fuseholder.
4. Strip insulation on both wires 1/4 inch.
5. Crimp fuse clips to both wires.
(Recommended crimp tool Radio Shack No. 64-409 or equivalent)
6. Insert 2 amp fuse.
7. Snap two halves of housing together.

* Note: The heat shrink tubing is necessary in order to provide weather tightness.

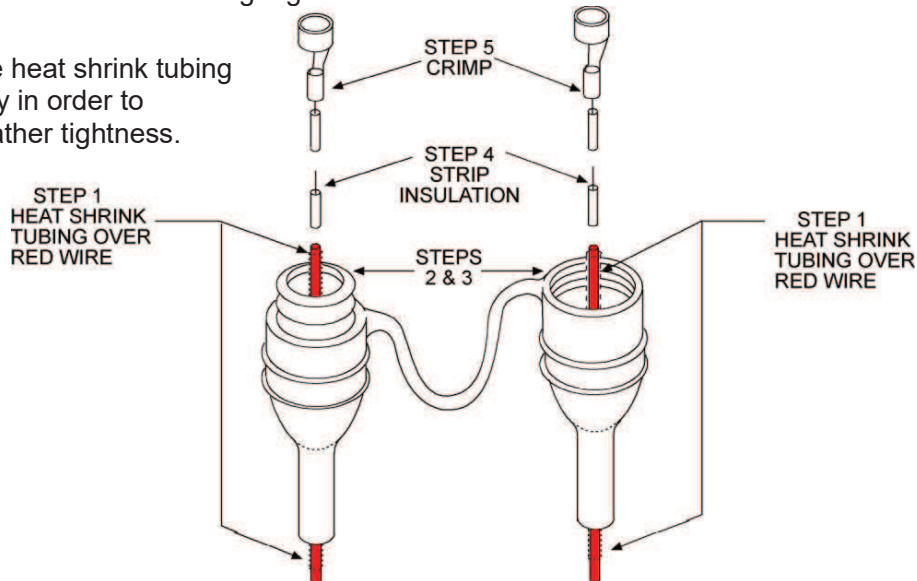


Figure 5: Fuse Holder Assembly