



David Clark COMPANY

INCORPORATED

360 Franklin Street, Box 15054, Worcester, MA 01615-0054
TEL. (508) 751-5800 E-Mail sales@DavidClark.com FAX: (508) 753-5827

C98-30CP Captain's Priority Cable P/N 40892G-10

INSTALLATION SHEET

The C98-30CP Captain's Priority is an optional feature which allows the Captain to isolate himself, Radio 1 and Radio 2 from the Co-Captain and the Passengers. When this switch is ON, the Captain will have exclusive access to Radio 1 and Radio 2. See **Table 1** for details.

Parts/Tools Required

- C98-30CP Captain's Priority Cable (40892G-10)
- SPST/SPDT Switch
(DCCI recommends P/N 09494P-37 switch & P/N 13145P-10 rubber boot)
- Soldering iron/Solder
- Wire cutters/Wire strippers
- Drill/Drill Bits (1/2" if using 09494P-37)
- Heat-shrink tubing
- Wire ties

Procedure

1. Determine the location for the Captain's Priority switch. Choose a location where the Captain will have access to it, but it will not be accidentally triggered.
2. Drill a hole the appropriate size for the switch selected (1/2" if using 09494P-37).
3. Route the C98-30CP cable from the Master Station to the switch location. The cable should be routed using under-deck conduits and be as far as possible from radio antenna coax cables and anywhere water may collect. Use wire ties where necessary.
4. Connect the cable to the Master Station's connector labeled "Captain's Priority". To connect the cable to the Master Station, align keyways and push. Then firmly turn collar clockwise until it locks into place. Pull back gently on the cable to ensure that it does not come out.
5. Route the unprepared end of the cable through the hole you drilled from the backside.

6. Strip/Prepare end of cable as necessary for the switch. Do not connect the shield, instead cut it flush to the jacket. Slide heat-shrink tubing over the cable and the individual conductors.
7. Solder the cable to the switch. Use heat-shrink tubing over solder joints.
Figure 1 shows which terminals to solder to on the recommended 09494P-37 switch.
8. Mount the switch in the hole. Screw on rubber boot tightly.

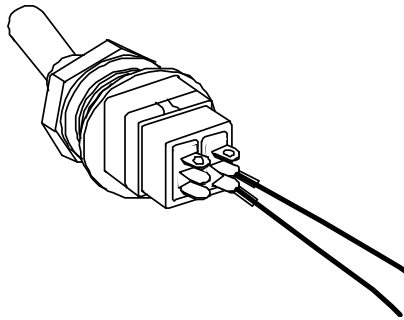


Figure 1: Recommended 09494P-37 Toggle Switch and 13145P-10 Rubber Boot.

Captain's Priority Disabled (Normal Operation)

	Radios 1&2	Aux. Audio	Captain	Co-Captain	Passengers
Captain	Tx & Rx	Rx	-	Tx & Rx	Tx & Rx
Co-Captain	Tx & Rx	Rx	Tx & Rx	-	Tx & Rx
Passengers	Rx only	Rx	Tx & Rx	Tx & Rx	Tx & Rx

Table 1: Behavior of the Series 9800 System when Captain's Priority is disabled
(Rx = Receive/Listen, Tx = Transmit/Talk)

Captain's Priority Enabled

	Radios 1&2	Aux. Audio	Captain	Co-Captain	Passengers
Captain	Tx & Rx	None	-	Rx only	Rx only
Co-Captain	No Tx or Rx	Rx	Tx only	-	Tx & Rx
Passengers	No Tx or Rx	Rx	Tx only	Tx & Rx	Tx & Rx

Table 2: Behavior of the Series 9800 System when Captain's Priority is enabled
(Rx = Receive/Listen, Tx = Transmit/Talk)

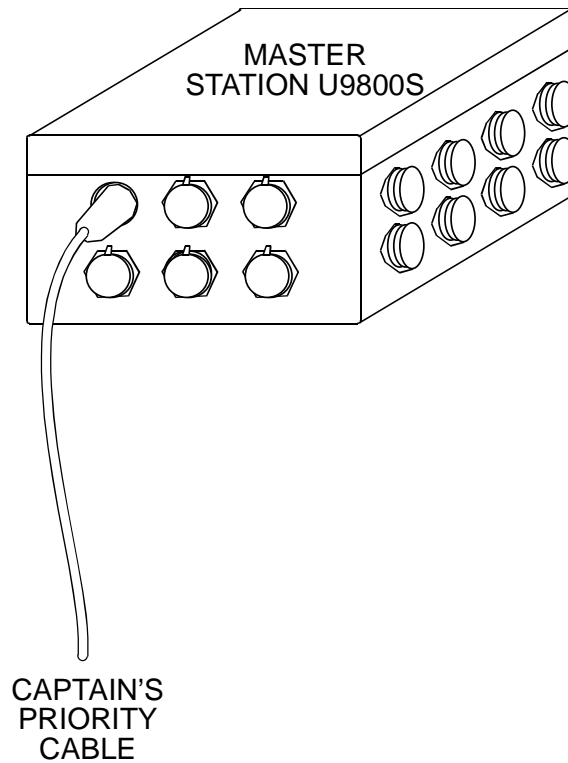


Figure 2: Master Station Captain's Priority Cable Connection

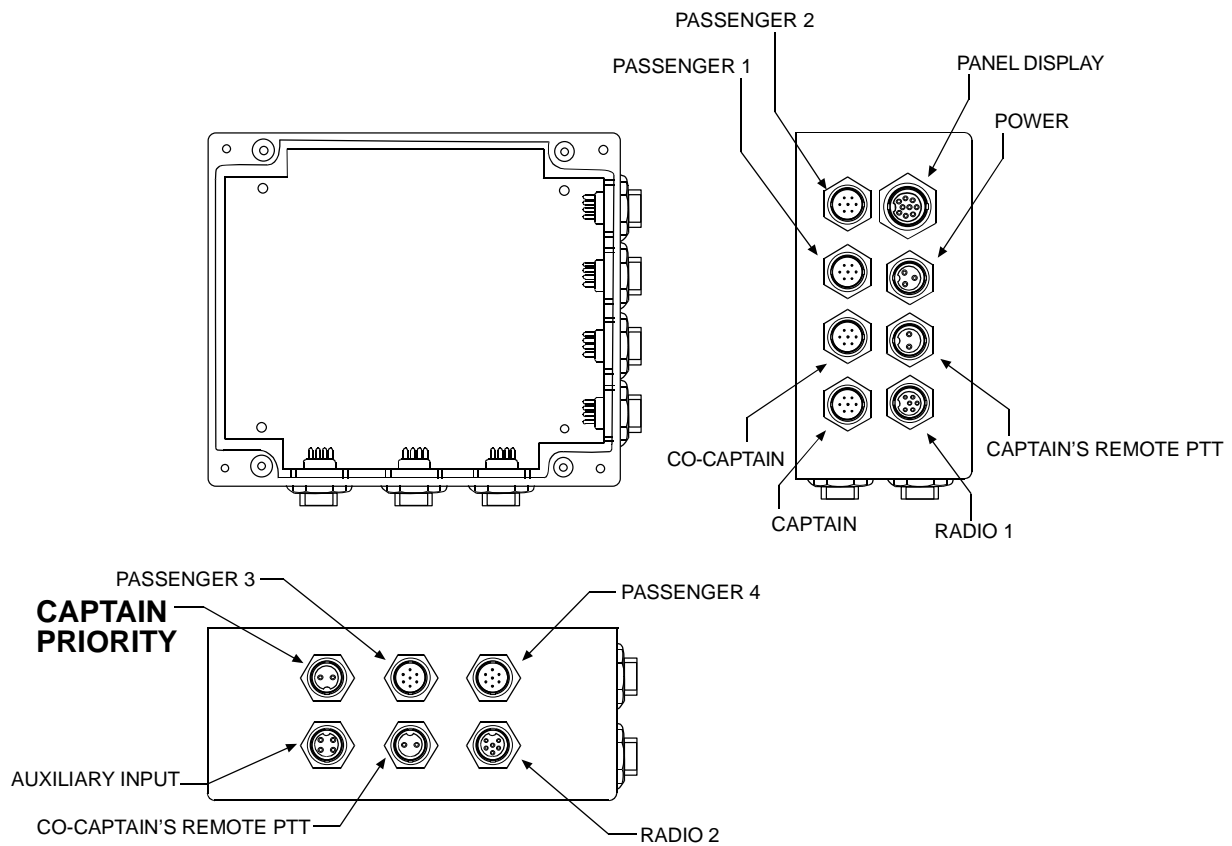


Figure 3: Master Station Connections