



David Clark COMPANY
INCORPORATED

360 Franklin Street, Box 15054, Worcester, MA 01615-0054
TEL. (508) 751-5800 E-Mail sales@DavidClark.com FAX: (508) 753-5827

Series 9500 Marine Intercom System Radio Adapter Cord OPERATION SHEET

The Radio Adapter Cords are used to interface a U9510BS (40795G-03) Belt Station to a hand-held portable radio.

Installation

1. Disconnect the C95-12BS Belt Station Straight Cable or the C95-15BS Belt Station Coil Cord from the U9510BS Belt Station. This connector is color-coded red for identification (see Fig. 1).
 - a. To disconnect cable, turn collar $\frac{1}{4}$ turn clockwise and pull.
 - b. The U9510BS Belt Station must be disconnected from the intercom or the transmissions will not go over the hand-held radio, but over the radio selected at the Master Station.
2. Connect the Radio Adapter cord to the U9510BS Belt Station by aligning the two yellow color-coded lines and pushing together.
3. Connect the radio end of the Radio Adapter Cord to the hand-held radio's accessory connector. Be sure radio's power is OFF. This procedure will vary for different types of radios.

Operation

1. Once connected, turn on the power to the hand-held radio.
2. If not already connected, connect a H9530 or H9540 headset to the top connector on the U9510BS Belt Station using the same procedure as the Radio Adapter Cord above. The headset connector is color-coded green.
3. The headset-microphone is now interfaced to the hand-held radio.
 - a. To transmit, press the PTT.
 - b. The position of the Radio/Intercom Select Switch must be in RAD if VOX operation is desired (must be supported by radio)
4. *Remember*, the U9510BS must not be connected to the Intercom System. If it is, you will not be transmitting over the hand-held, but over the radio selected at the Master Station.

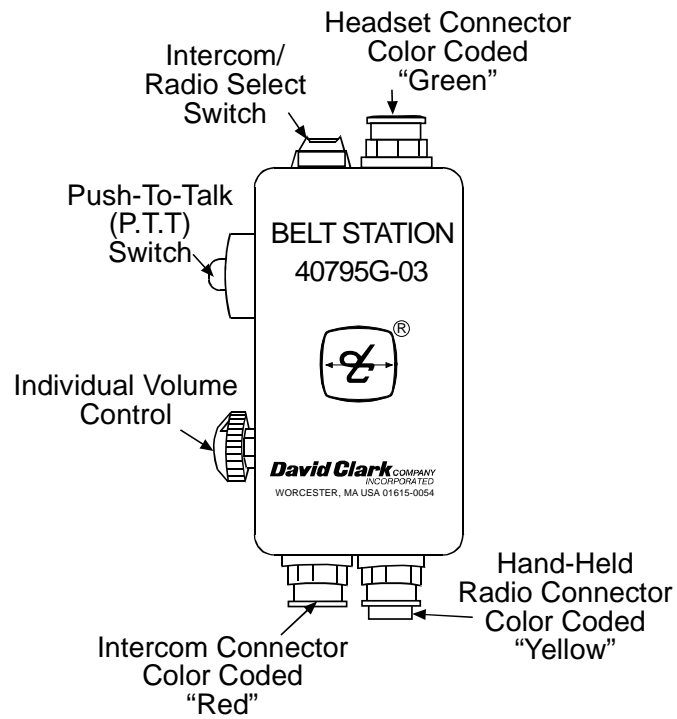


Figure 1: U9510BS Belt Station Connections