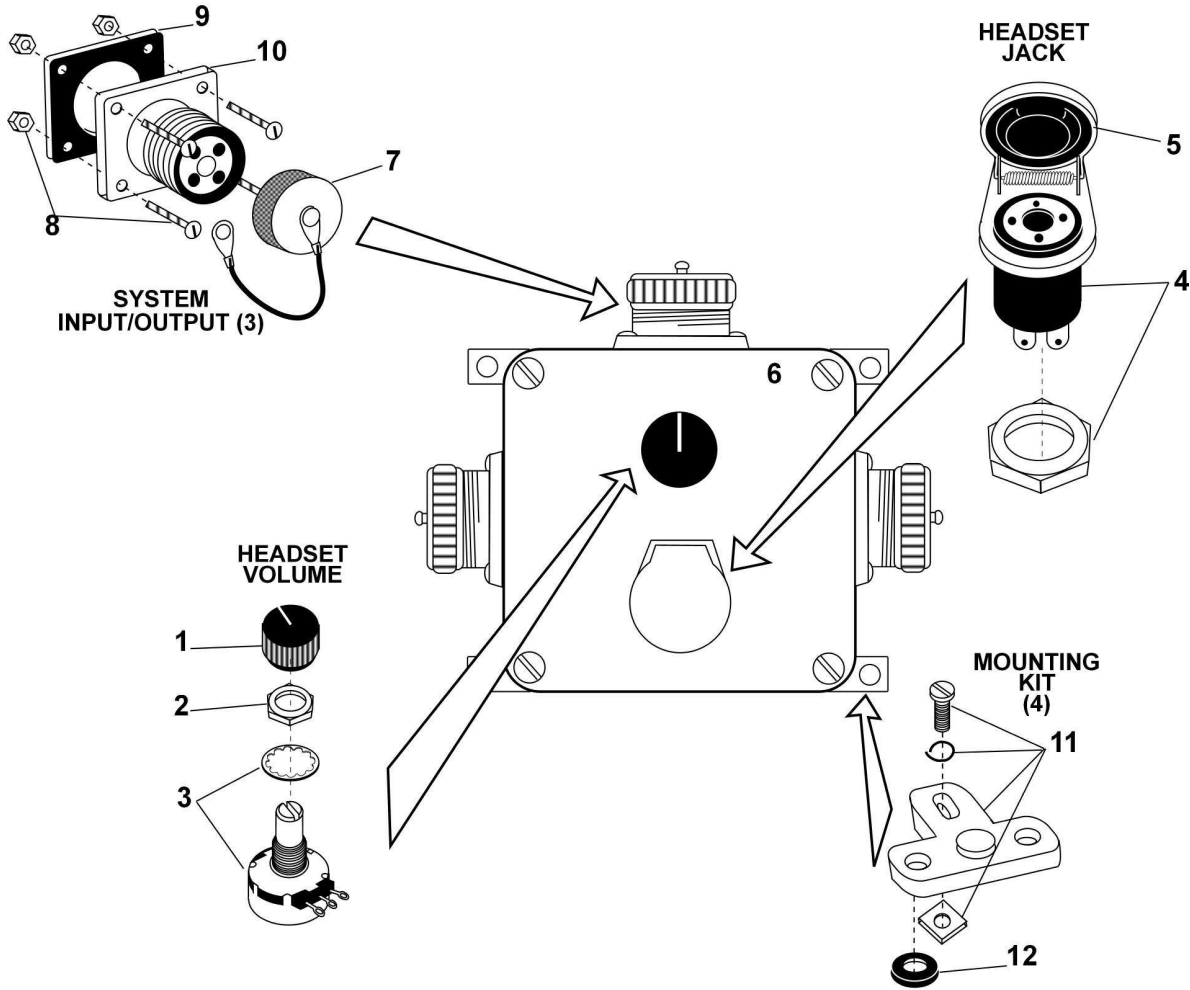


# David Clark COMPANY INCORPORATED

360 Franklin Street, Box 15054, Worcester, MA 01615-0054  
TEL.: (508) 751-5800 E-Mail: sales@DavidClark.com FAX: (508) 753-5827

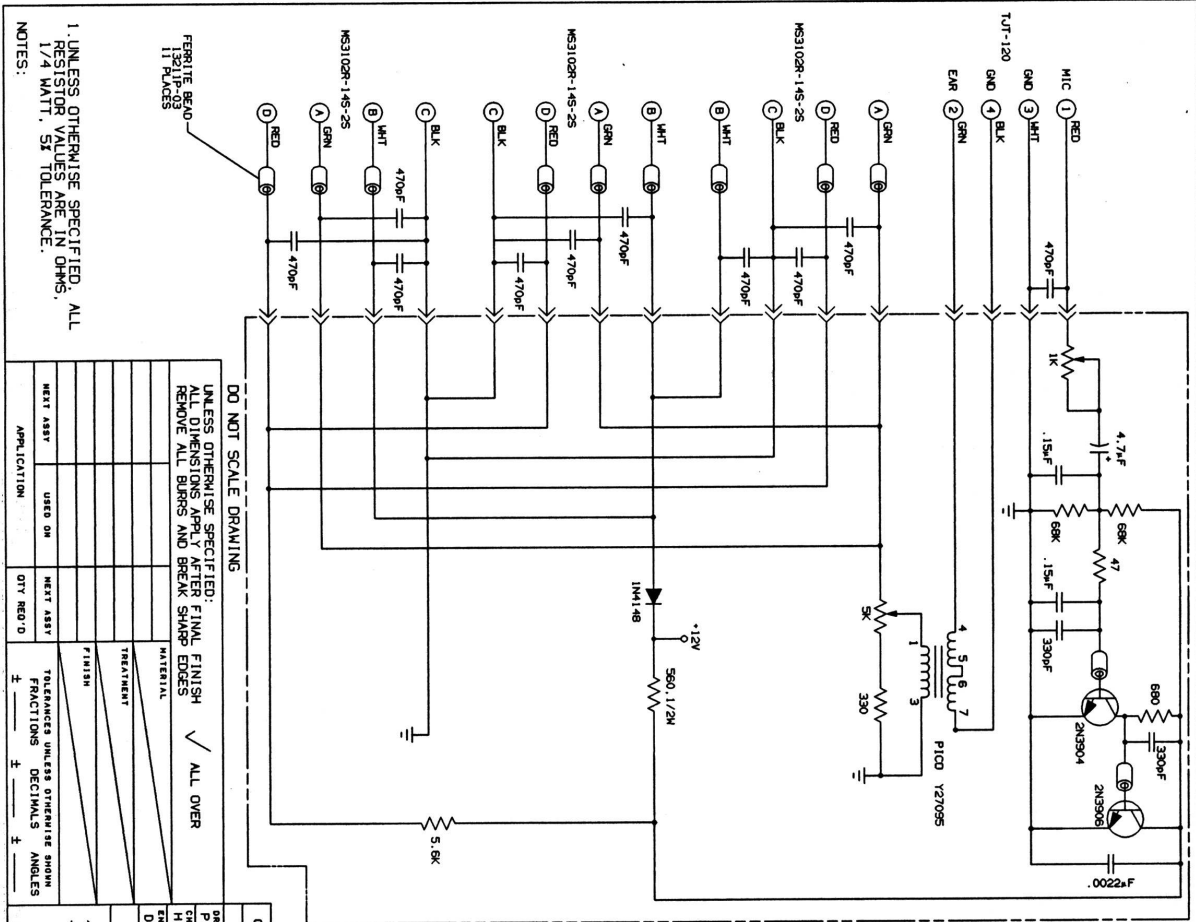
## PARTS LIST MODEL U3817



No.	Description	Part No.
1	Knob	09347P-15
2	Shaft Seal Nut	13145P-05
3	Volume Control	09349P-30
4	Headset Jack	09228P-53
5	Jack Cover	15354P-01
6	Box	26497P-25

No.	Description	Part No.
7	Cap (and nylon cord)	13238P-01
8	Screws and Nuts (4 ea.)	18900G-01
9	Gasket	13176P-03
10	Connector (4 socket)	00084M-04
11	Mounting Kit	09865P-03
12	Grommet (4 ea.)	18900G-08

# ELECTRICAL SCHEMATIC MODEL U3817



NOTES:  
1. UNLESS OTHERWISE SPECIFIED, ALL RESISTOR VALUES ARE IN OHMS, 1/4 WATT, 5% TOLERANCE.

DO NOT SCALE DRAWING

UNLESS OTHERWISE SPECIFIED:  
ALL DIMENSIONS APPLY AFTER BREAK SHARP EDGES REMOVE ALL BURRS AND BREAK SHARP EDGES

APPROVAL	USED ON	QTY REQ'D	FINISH	TOLERANCES UNLESS OTHERWISE SHOWN FRACTIONS DECIMALS

DATE	01 APR 92
DESIGNED	P. GRIFFIN
CHECKED	H. J. TOBYNO
ENG. APPROVAL	D. P. CHAFFE
DATE	11 APR 92

19514P-19  
(10-01)

©2001 David Clark Company Incorporated

REVISITONS		DATE	APPROVED
1	SEE ECN 12781	08 OCT 01	J.D. DPC

SYMBOL	DESCRIPTION	DATE	APPROVED

QTY	ITEM	PART NO.	DESCRIPTION	MATERIAL	SPECIFICATION

LIST OF MATERIALS

**David Clark Company Inc.**  
WIRING DIAGRAM  
SCHEMATIC  
HEADSET STATION

CONTRACT NO. 71483  
SCALE: C  
SHEET: 1 OF 1

40317G-01 A