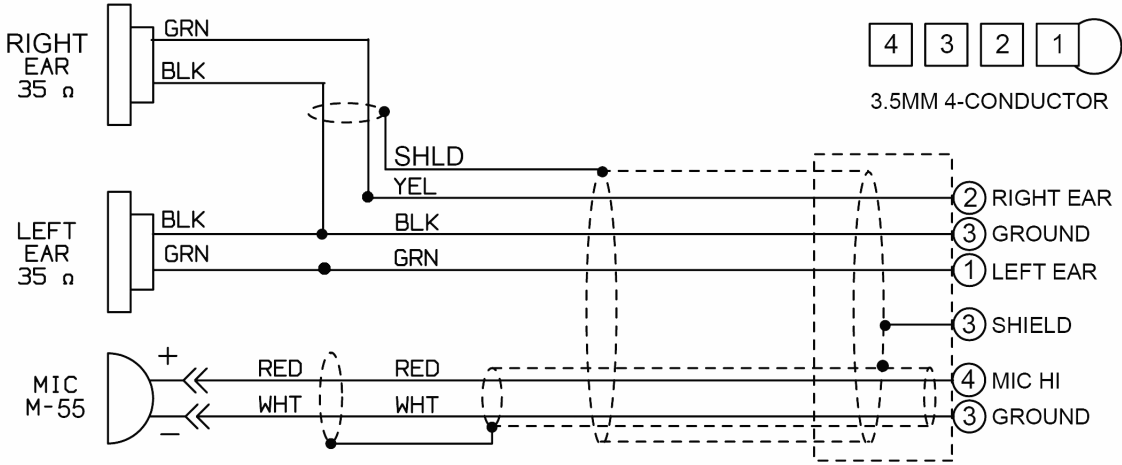


No.	Description	Part No.
1	Retaining Ring (10/pk)	09464P-10
2	Right Dome	15253P-04
3	Dome Filter	26475P-02
4	Earphone Assembly	10476G-03
5	Screw/Grommet Kit (4 pk)	18900G-47
6	Dome Filter	25629P-03
7	Filter (1 each)	14096P-09
8	Undercut Gel Earseal (pair)	40863G-02
9	Filter (1 each)	26475P-08
10	Overhead Cord	18741G-29
11	Headband Spring	15093P-03

No.	Description	Part No.
12	Headpad Assembly	40916G-33
13	Stirrup & Clamp Kit	22378G-15
14	Clip, Cord (4/pk)	15350P-02
15	Left Dome	15253P-09
16	Boom Attachment Kit	12840G-19
17	Mic Boom Assembly	18740G-34
18	Microphone M-55	09168P-66
19	Mic Protector w/ O-Ring	40062G-02
20	Comm Cord Kit	41080G-27
21	Adapter Cable	55009P-02

ELECTRICAL SCHEMATIC DCX-OTHLC



N/C = NO CONNECTION