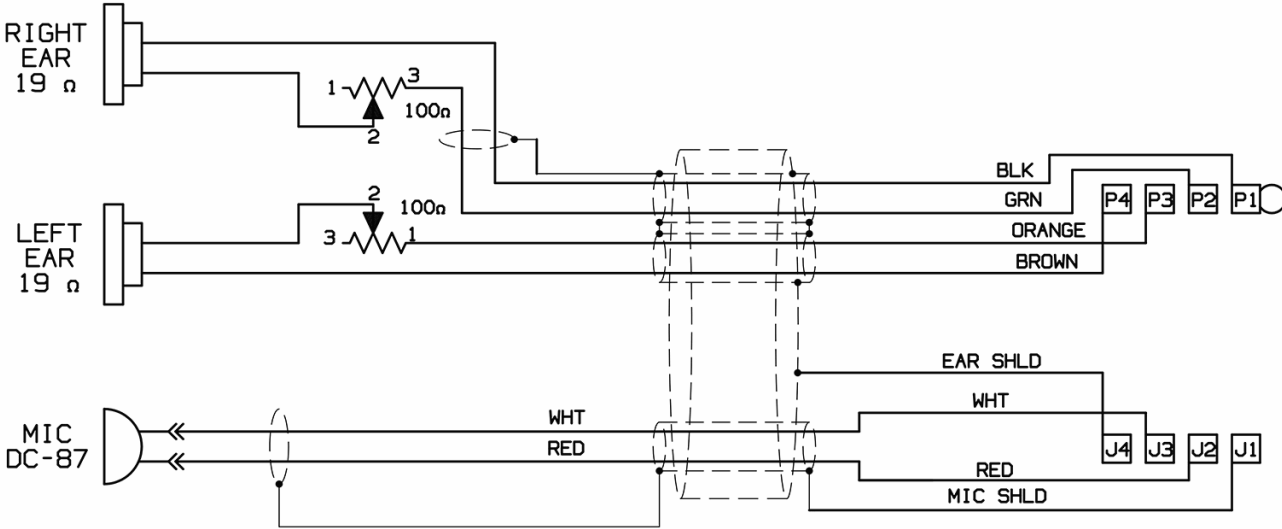
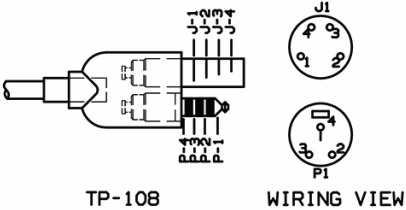


No.	Description	Part No.
1	Retaining Ring (10/pk)	00009M-03
2	Headpad Restraint, Foam	40266G-01
3	Right Dome	15253P-08
4	Dome Filter	26475P-02
5	Earphone Assembly	10376G-30
6	Screw/Grommet Kit (4 pk)	18900G-47
7	Dome Filter	25629P-03
8	Filter (1 each)	14096P-09
9	Undercut Gel Earseal (pair)	40863G-02
10	Filter (1 each)	26475P-08
11	Overhead Cord Assembly	22607G-01
12	Headband Spring	15093P-01

No.	Description	Part No.
13	Headpad Assembly	18900G-45
14	Stirrup & Clamp Kit	22378G-12
15	Volume Control	09349P-28
16	Volume Control Knob	15109P-01
17	Clip, Cord (4/pk)	15350P-02
18	Left Dome	15253P-03
19	Boom Attachment Kit	12840G-19
20	Kit, Boom Assembly w/Att.	41090G-37
21	Microphone DC-87	09168P-88
22	Screen, Wind, Mic	40062G-06
23	Comm Cord Kit	41080G-37

ELECTRICAL SCHEMATIC P/N 40411G-23



NOTE: RED & WHITE SHIELD IS ISOLATED FROM OTHER SHIELDS.