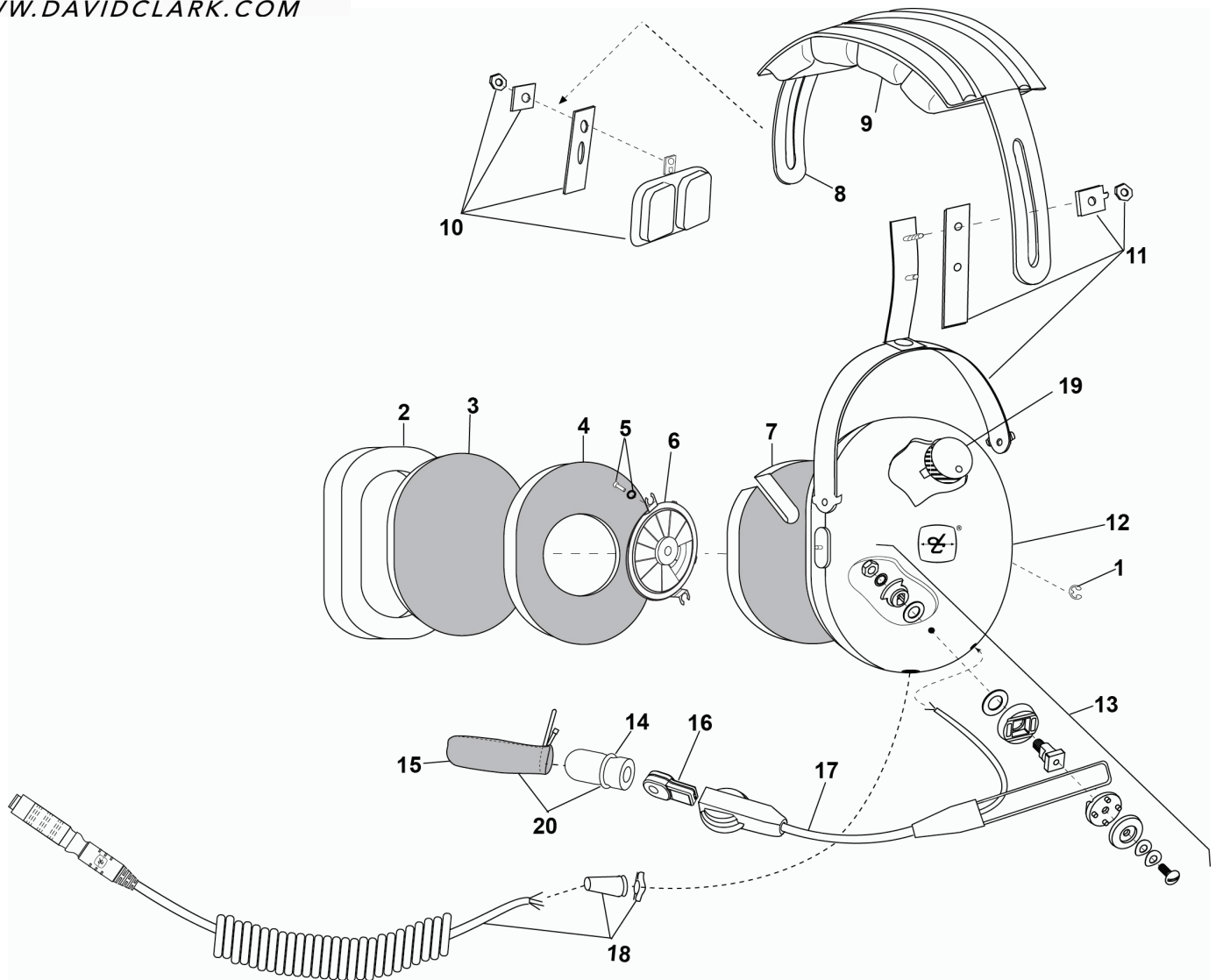


**PARTS LIST
MODEL H9190**


No.	Description	Part No.
1	Retaining Ring (10/pk)	00009M-03
2	Undercut Gel Earseal (pair)	40863G-02
3	Filter (1 each)	14096P-09
4	Dome Filter	25629P-03
5	Screw/Grommet Kit (10/pk)	18338G-04
6	Earphone Assembly	10376G-55
7	Dome Filter	26475P-02
8	Headband Spring	15247P-01
9	Headpad Assy	40075G-02
10	Temple Pad Assy Kit	18900G-37

No.	Description	Part No.
11	Stirrup & Clamp Kit	22378G-11
12	Dome, Left	15253P-59
13	Boom Guide Kit	12840G-20
14	Screen, Wind, Mic	40062G-06
15	Windscreen Cover w/Tie	18792G-04
16	Microphone M2H (150 OHM)	09168P-76
17	Hybrid Boom w/PTT	18740G-44
18	Comm Cord Assy Kit	41080G-30
19	Volume Control Assy	18661G-37
20	Mic Protector/Windscreen Kit	41090G-23

ELECTRICAL SCHEMATIC MODEL H9190

