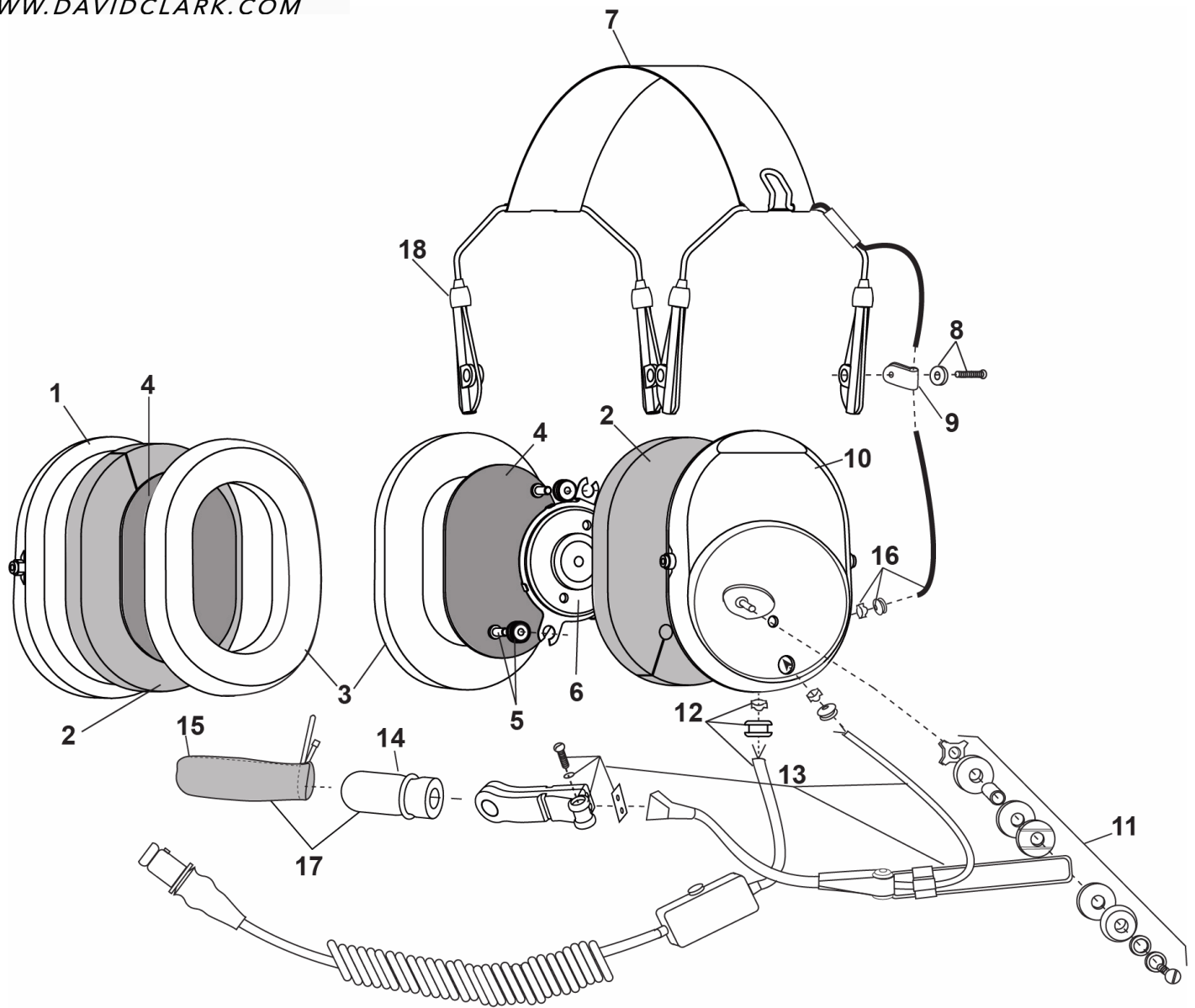


PARTS LIST
P/N 41032G-04



No.	Description	Part No.
1	Right Dome	15906P-04
2	Dome Filter (1 each)	14096P-20
3	Flo-Fit Gel Earseal (pair)	40243G-02
4	Filter	14096P-08
5	Screw & Washer Kit (10pk)	40688G-84
6	Earphone Assy	10376G-48
7	Suspension Assy	41028G-01
8	Screw & Washer Kit (10pk)	40688G-85
9	Cable Clamp (10pk)	15922P-02

No.	Description	Part No.
10	Left Dome	15906P-03
11	Boom Guide Kit	12840G-16
12	Comm Cord Assy Kit	18803G-42
13	Mic, DC-87 & Boom w/Cord	40910G-07
14	Screen, Wind, Mic	15074P-08
15	Windscreen Cover w/Tie	18792G-04
16	Overhead Cord Kit	22607G-14
17	Mic Protector/Windscreen Kit	41090G-23
18	Grommet, UTH (4/pk)	41090G-33

ELECTRICAL SCHEMATIC P/N 41032G-04

