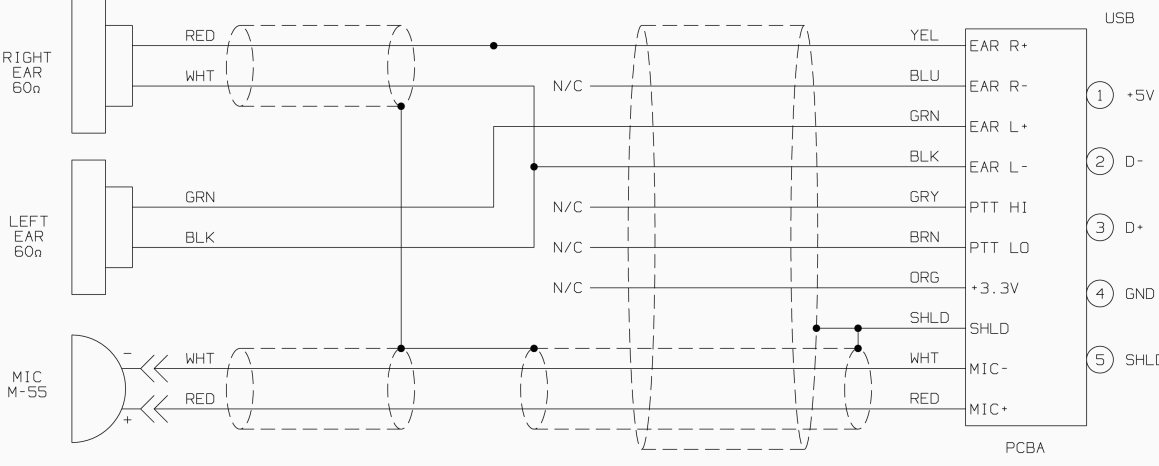


No.	Description	Part No.
1	Right Dome	15906P-04
2	Dome Filter (1 each)	14096P-20
3	Flo-Fit Gel Earseal (pair)	40243G-02
4	Filter	14096P-08
5	Screw & Washer Kit (10pk)	40688G-84
6	Earphone Assy	10376G-56
7	Suspension Assy	41028G-01
8	Screw & Washer Kit (10pk)	40688G-85
9	Cable Clamp (10pk)	15922P-02

No.	Description	Part No.
10	Left Dome	15906P-03
11	Boom Guide Kit	12840G-16
12	Microphone Boom Assy Kit	18804G-21
13	Comm Cord Assy Kit	40599G-96
14	Microphone M-55	09168P-66
15	Mic Protector w/ O-Ring	40062G-02
16	Overhead Cord Kit	22607G-14
17	Grommet, UTH (4/pk)	41090G-33

ELECTRICAL SCHEMATIC P/N 41032G-03



TYPE A USB
EXTERNAL VIEW

