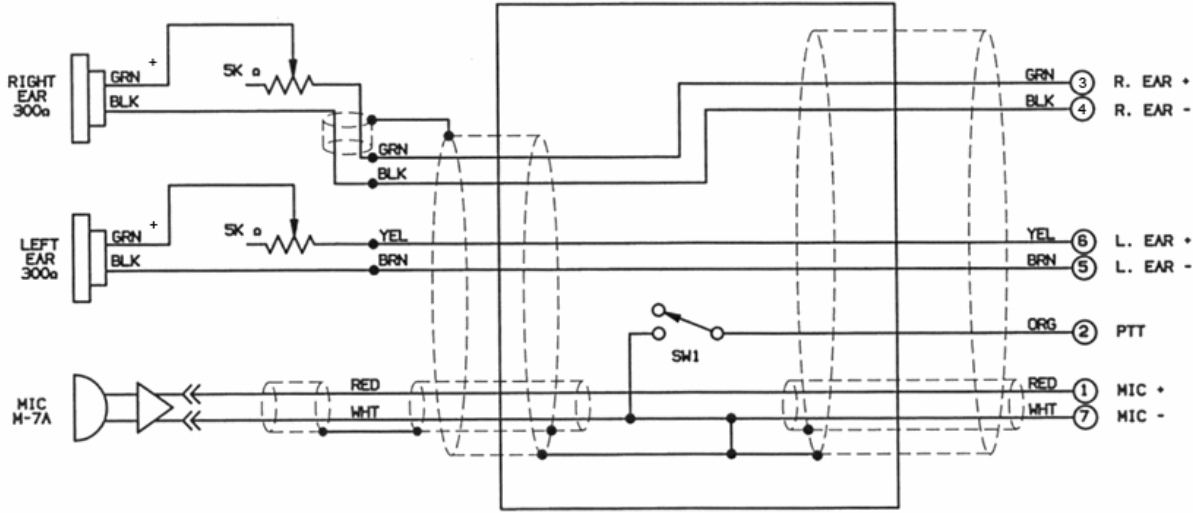


No.	Description	Part No.
1	Retaining Ring (10/pk)	00009M-03
2	Headpad Restraint, Foam	40867G-01
3	Right Dome	15253P-08
4	Dome Filter	26475P-02
5	Earphone Assembly, 300 ohm	10376G-87
6	Screw/Grommet Kit (4 pk)	18900G-47
7	Dome Filter	25629P-03
8	Filter (1 each)	14096P-09
9	Undercut Gel Earseal (pair)	40863G-02
10	Filter (1 each)	26475P-08
11	Overhead Cord Assembly	18741G-44
12	Headband Spring	15093P-01

No.	Description	Part No.
13	Headband/Headpad Kit	40688G-36
14	Stirrup & Clamp Kit	22378G-12
15	Volume Control	09349P-60
16	Volume Control Knob	15109P-01
17	Clip, Cord (4/pk)	15350P-02
18	Left Dome	15253P-03
19	Boom Attachment Kit	12840G-19
20	Kit, Boom Assembly w/Att.	41090G-12
21	M-7A Electret Mic	09168P-33
22	Mic Protector w/ O-Ring	40062G-02
23	Comm Cord Kit	18803G-35

ELECTRICAL SCHEMATIC P/N 40422G-05



1. SW1 SHOWN IN OFF POSITION.