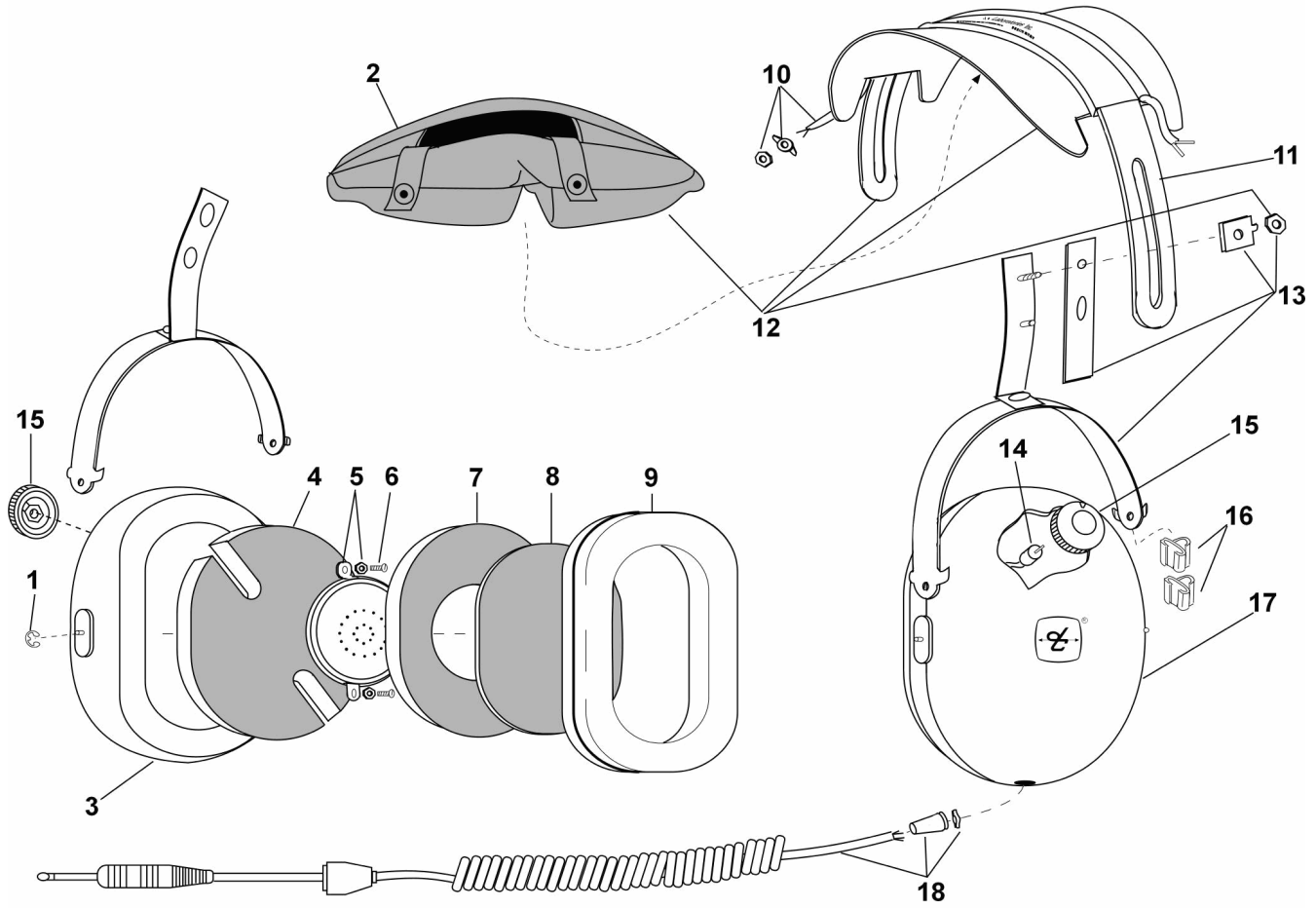


**PARTS LIST  
MODEL 10S/H**



No.	Description	Part No.
1	Retaining Ring (10/pk)	00009M-03
2	Headpad Restraint, Foam	40867G-01
3	Right Dome	15253P-08
4	Dome Filter	26475P-02
5	Earphone Assembly	10376G-89
6	Screw/Grommet Kit (4 pk)	18900G-47
7	Dome Filter	25629P-03
8	Filter ( 1 each)	14096P-09
9	Undercut Gel Earseal (pair)	40863G-02

No.	Description	Part No.
10	Overhead Cord Kit	18741G-47
11	Headband Spring	15093P-01
12	Headband/Headpad Kit	40688G-36
13	Stirrup & Clamp Kit	22378G-12
14	Volume Control	09349P-34
15	Volume Control Knob	15109P-01
16	Clip, Cord (4/pk)	15350P-02
17	Left Dome	15253P-36
18	Comm Cord Kit	40599G-80

# ELECTRICAL SCHEMATIC MODEL 10S/H

