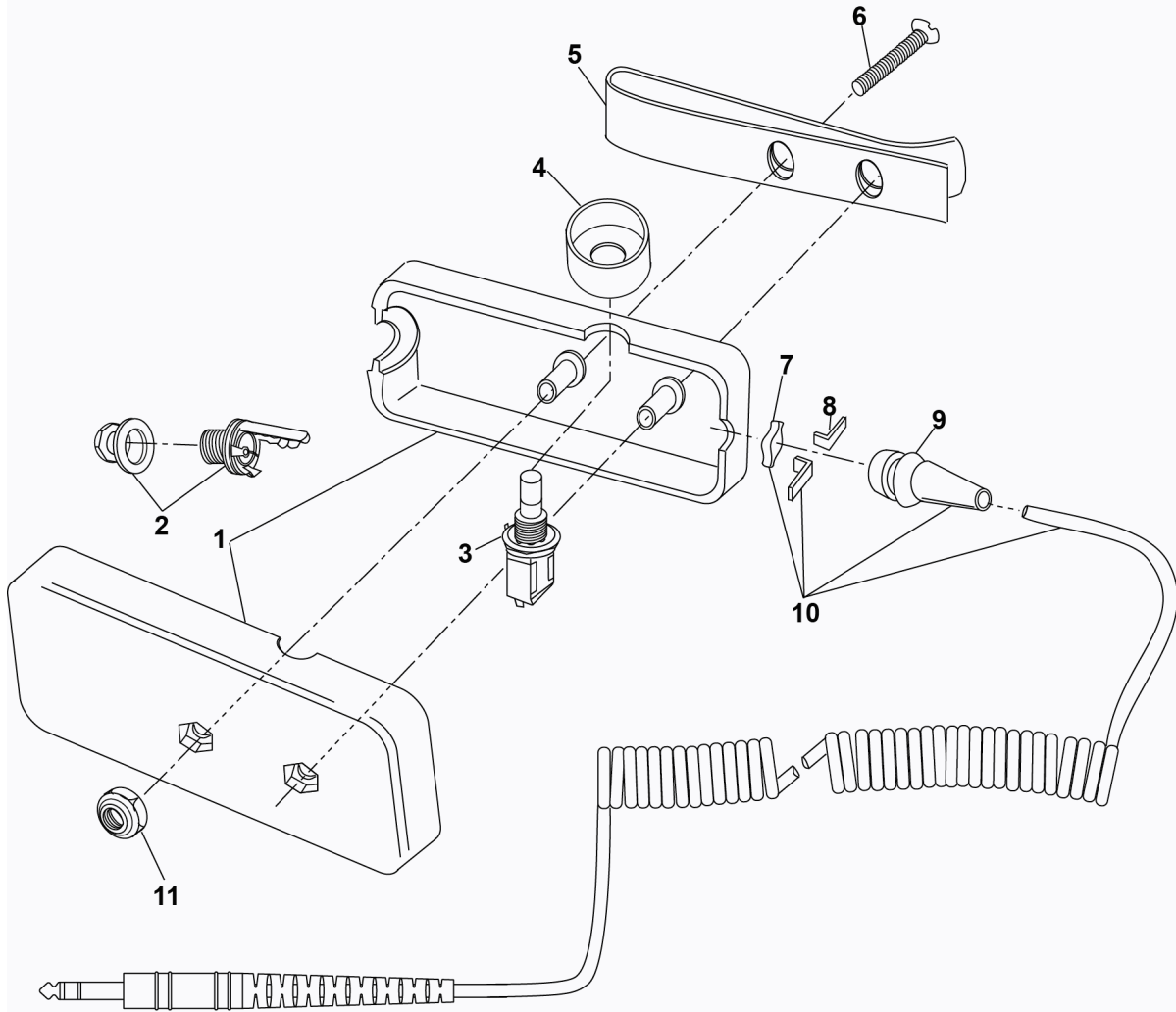


**PARTS LIST  
MODEL C35-26**



No.	Description	Part No.
1	Case	10815G-08
2	Headset Jack	09228P-03
3	Switch	26619P-13
4	Guard, Push Button	26553P-01
5	Belt Hook	15368P-01
6	Screw (10/pk)	18900G-02

No.	Description	Part No.
7	Circle Clamp (10/pk)	24433P-14
8	Anti-Rotation Clip 10/pk	14176P-02
9	Grommet	14889P-01
10	Comm Cord Kit	18028G-49
11	Nut (10/pk)	18900G-03

ELECTRICAL SCHEMATIC  
MODEL C35-26

