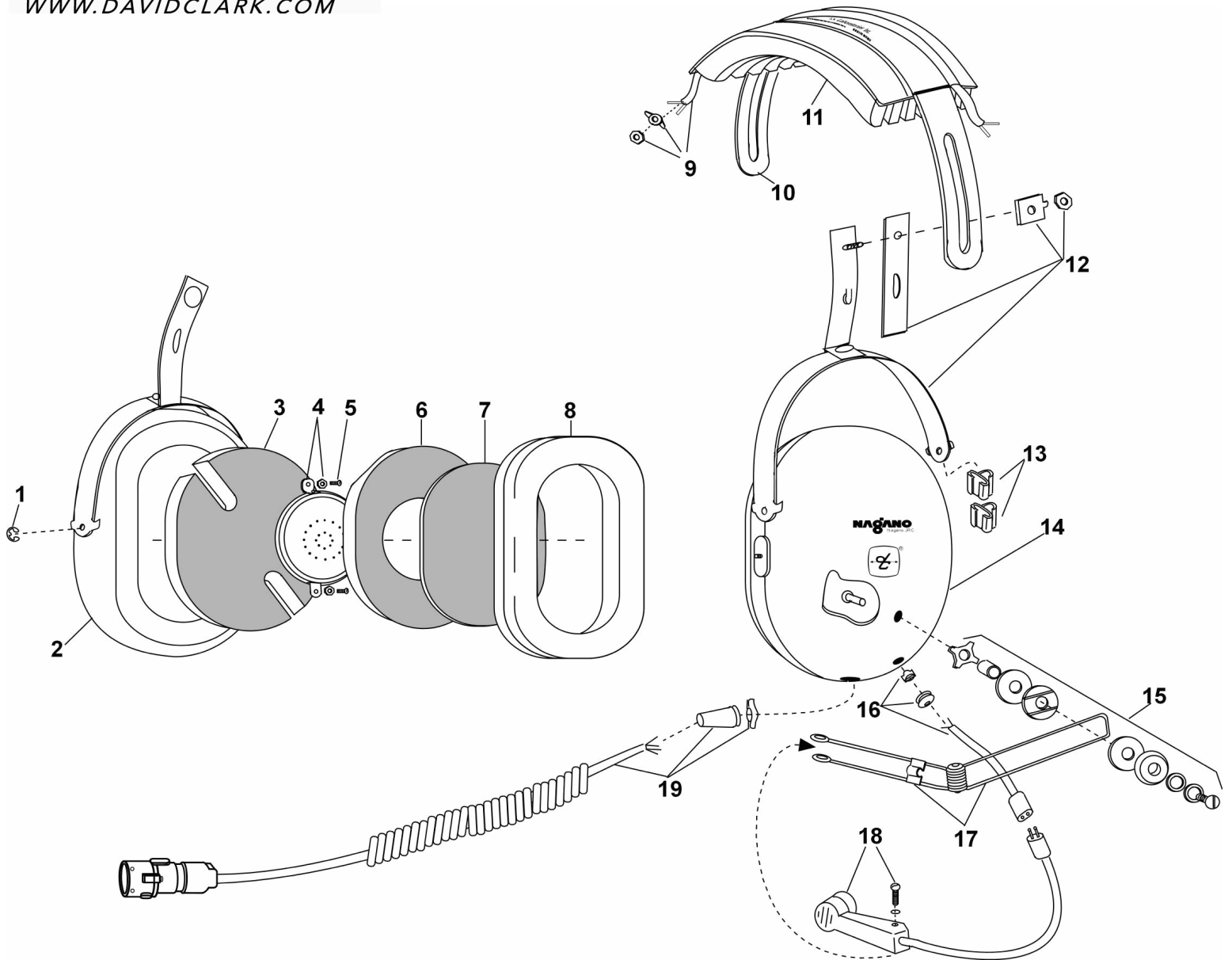


**PARTS LIST**  
**P/N 40772G-01**



No.	Description	Part No.
1	Retaining Ring (10/pk)	00009M-03
2	Right Dome	11696P-68
3	Dome Filter	26475P-02
4	Earphone Assembly	10376G-20
5	Screw (10/pk)	13180P-06
6	Dome Filter	25629P-03
7	Filter (1 each)	14096P-09
8	Earseal (pair)	18316G-02
9	Overhead Cord Assembly	22607G-01
10	Headband Spring	15093P-01

No.	Description	Part No.
11	Headpad Assembly	18848G-52
12	Stirrup & Clamp Kit	22378G-08
13	Clip, Cord (4/pk)	15125P-02
14	Left Dome	11696P-69
15	Boom Guide Kit	12840G-01
16	Microphone Jack Cord Assy	18825G-10
17	Microphone Boom Assy	12765G-04
18	Microphone	12948G-07
19	Comm Cord Kit	40599G-32

ELECTRICAL SCHEMATIC  
P/N 40772G-01

