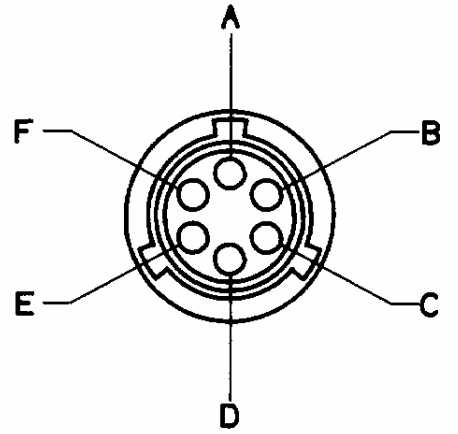


No.	Description	Part No.
1	Retaining Ring (10/pk)	00009M-03
2	Headpad Restraint, Foam	40266G-03
3	Right Dome	15253P-04
4	Dome Filter	26475P-02
5	Earphone Assembly	10376G-33
6	Screw/Grommet Kit (4 pk)	18900G-47
7	Dome Filter	25629P-03
8	Filter (1 each)	14096P-09
9	Earseal (pair)	18316G-02
10	Filter (1 each)	26475P-08
11	Overhead Cord Assembly	22607G-01

No.	Description	Part No.
12	Headband Spring	15093P-01
13	Headpad Assy	18900G-48
14	Stirrup & Clamp Kit	22378G-12
15	Clip, Cord (4/pk)	15350P-02
16	Left Dome	15253P-09
17	Boom Attachment Kit	12840G-08
18	Mic Boom Assy	18688G-05
19	Microphone Plug Cord	18744G-01
20	Mic, M-101/AIC 150 ohms	09168P-27
21	Mic Muff	18434G-02
22	Comm Cord Kit	40599G-24

ELECTRICAL SCHEMATIC
P/N 40739G-01



EXTERNAL PIN VIEW
MS3126F10-6P

