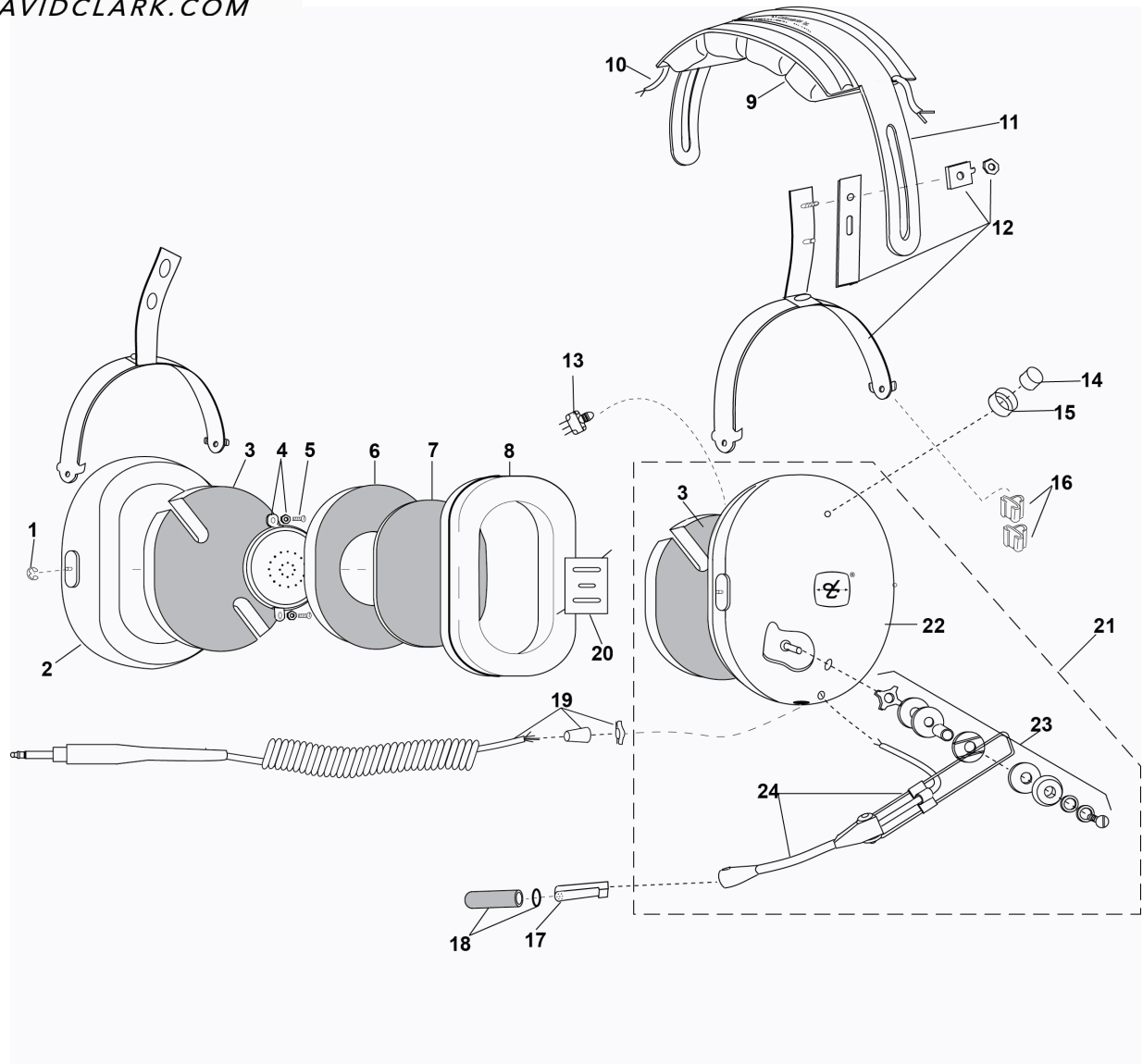


**PARTS LIST
MODEL H3432**


No.	Description	Part No.
1	Retaining Ring (10/pk)	00009M-03
2	Right Dome	15253P-04
3	Dome Filter	26475P-02
4	Earphone Assembly	10376G-20
5	Screw/Grommet Kit (4 pk)	18900G-47
6	Dome Filter	25629P-03
7	Filter (1 each)	14096P-09
8	Undercut Gel Earseal (pair)	40863G-02
9	Headpad Assy	40075G-02
10	Overhead Cord Assembly	22607G-01
11	Headband Spring	15093P-01
12	Stirrup & Clamp Kit	22378G-12

No.	Description	Part No.
13	Push Button Switch	09851P-17
14	Switch Cap Kit	41090G-13
15	Switch Guard	13148P-01
16	Clip, Cord (4/pk)	15350P-02
17	M-7A Electret Mic	09168P-33
18	Mic Protector w/ O-Ring	40062G-02
19	Communication Cord Assy Kit	18028G-34
20	PCB Assembly	18289G-13
21	Kit, Dome & Mic Boom	40688G-73
22	Left Dome	15253P-13
23	Boom Attachment Kit	12840G-09
24	Hybrid Boom with Cord	18740G-05

ELECTRICAL SCHEMATIC
MODEL H3432

