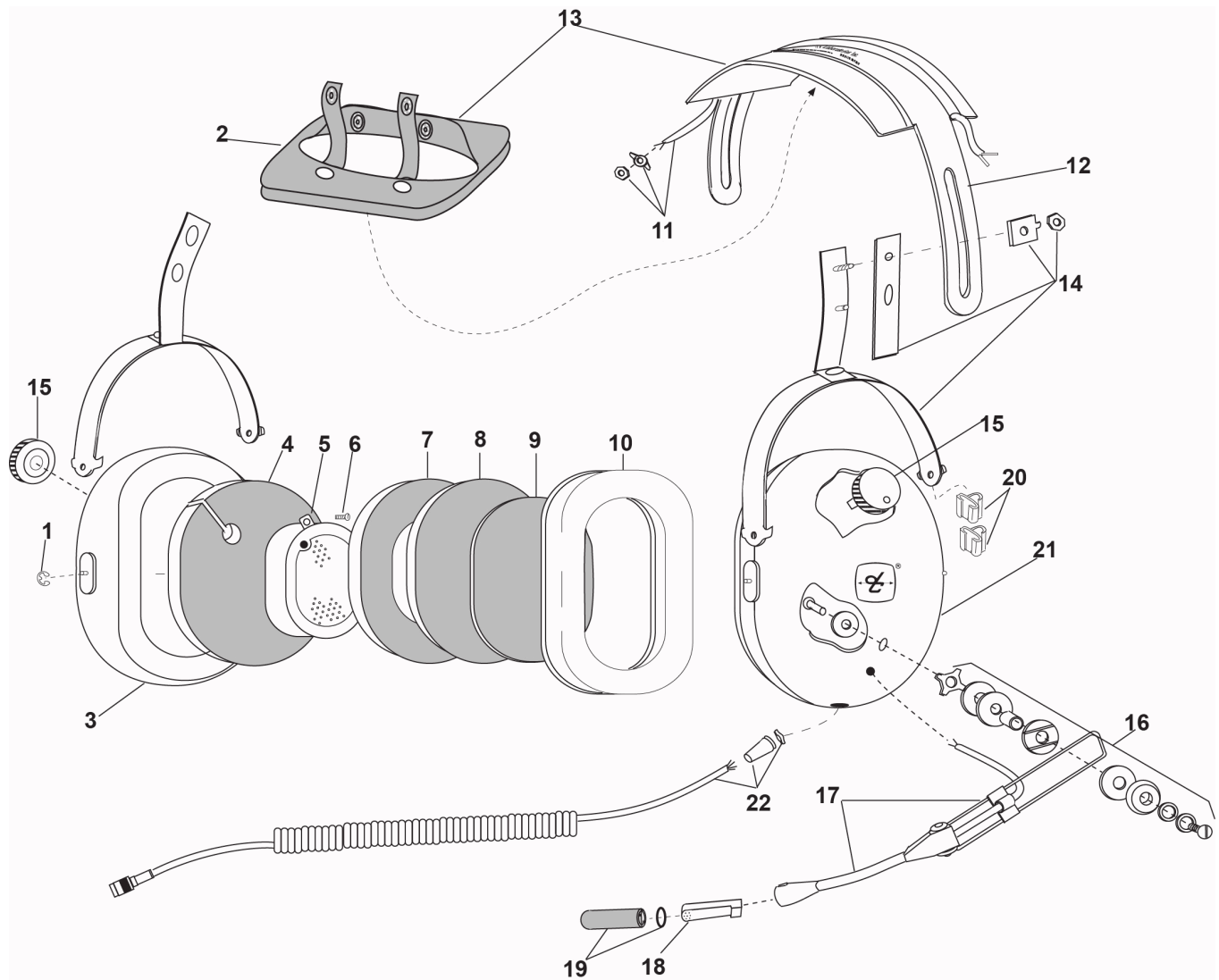




**PARTS LIST**  
**MODEL H10-56HX**



No.	Description	Part No.
1	Retaining Ring (10/pk)	00009M-03
2	Headpad Restraint, Foam	40266G-01
3	Right Dome	11353P-49
4	Filter, Outer, Yellow (1 each)	15511P-02
5	Module with Bracket	15507P-10
6	Screw (10/pk)	13180P-03
7	Filter, Middle, Charcoal (1 each)	15510P-04
8	Filter, Inner (1 each)	15509P-02
9	Filter, Cloth (1 each)	15512P-03
10	Undercut Gel Earseal (pair)	40863G-02
11	Overhead Cord Kit	22607G-12

No.	Description	Part No.
12	Headband Spring	15093P-01
13	Headpad Assembly	18900G-45
14	Stirrup & Clamp Kit	22378G-12
15	Volume Control	09349P-40
16	Boom Attachment Kit	12840G-09
17	Mic Boom & Cord Assy	18740G-05
18	M-7A Electret Mic	09168P-33
19	Mic Protector	40062G-02
20	Clip, Cord (4/pk)	15125P-02
21	Left Dome	11353P-50
22	Comm Cord Kit	40599G-04

# ELECTRICAL SCHEMATIC MODEL H10-56HX

