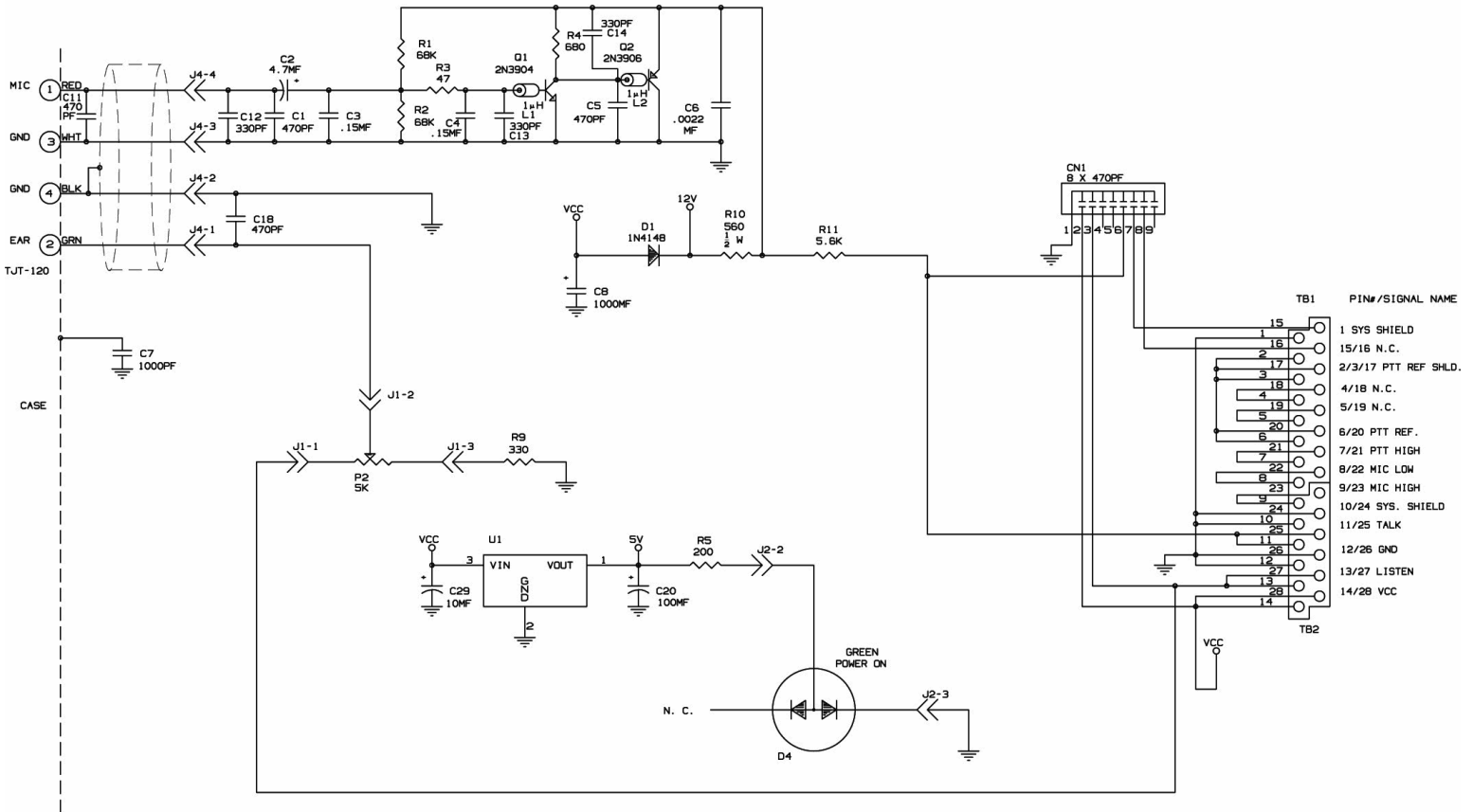


No.	Description	Part No.
1	Knob	09347P-15
2	Shaft Seal Nut	13145P-34
3	Volume Control Assy	18900G-71
4	Jack Cover	09518P-06
5	Headset Jack Assy	18900G-68

No.	Description	Part No.
6	Light Emitting Diode (LED) Assy	18900G-69
7	Box (aluminum)	26497P-41
8	Screws (4/pk)	18900G-78
9	Printed Circuit Board (Internal)	18782G-56

ELECTRICAL SCHEMATIC P/N 40408G-02



NOTE 1
ALL RESISTOR VALUES ARE IN OHMS,
1/8W, 5% TOL,
UNLESS OTHERWISE SPECIFIED.

NOTE 2
ALL CAPACITOR VALUES ARE IN
MICROFARADS, UNLESS OTHERWISE SPECIFIED.