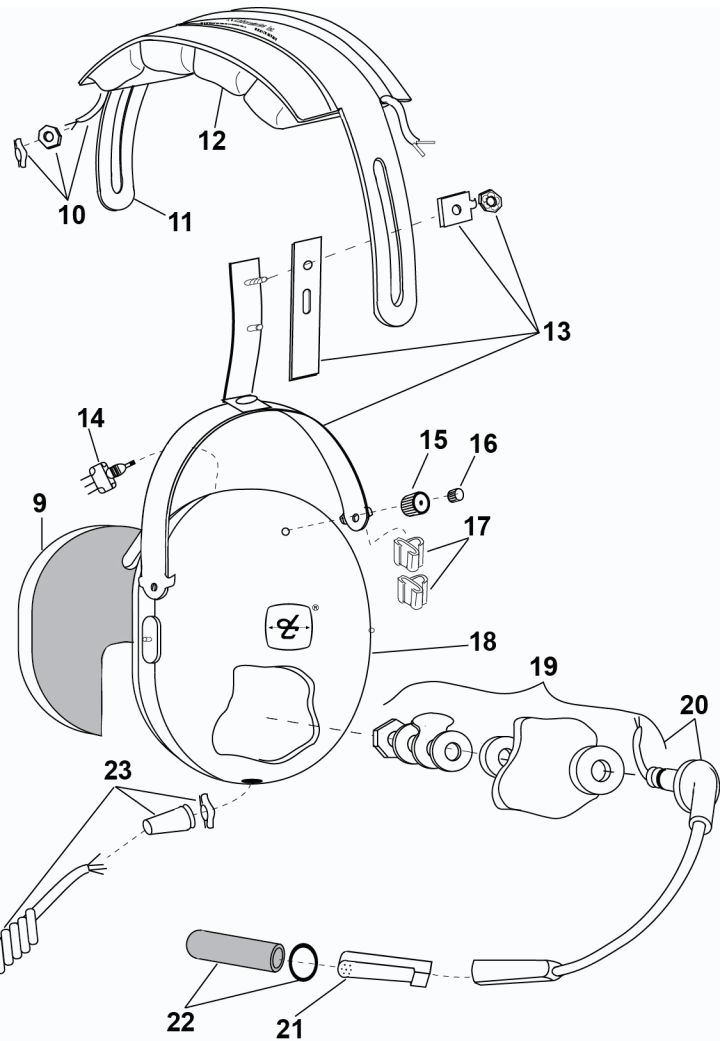
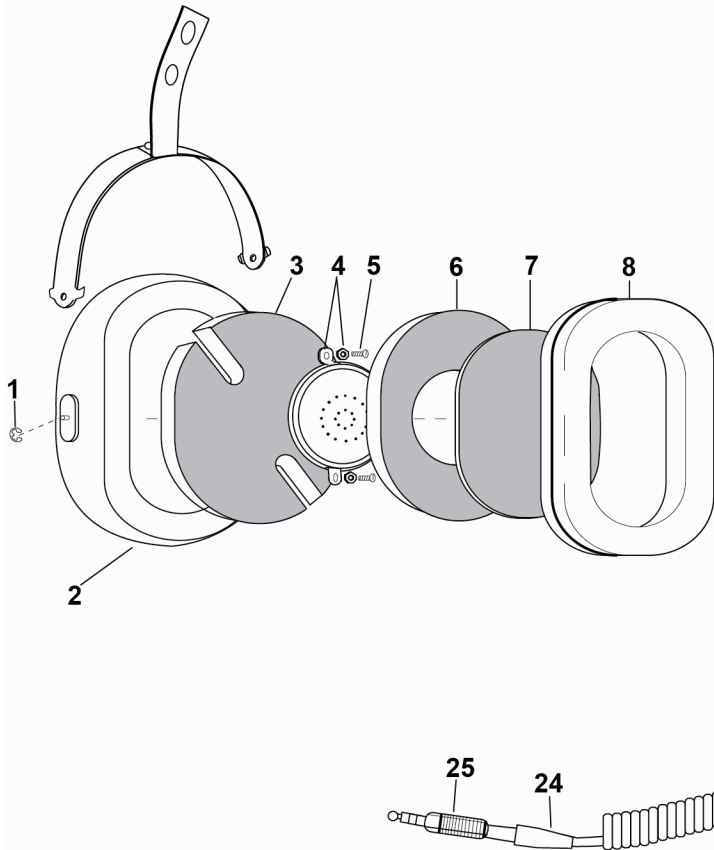


**PARTS LIST
MODEL H4230**


No.	Description	Part No.
1	Retaining Ring (10/pk)	00009M-03
2	Right Dome	11696P-12
3	Dome Filter	26475P-02
4	Earphone Assembly	10376G-29
5	Screw (10/pk)	13180P-06
6	Dome Filter (1 each)	25629P-03
7	Filter (1 each)	14096P-09
8	Earseal (pair)	18316G-02
9	Filter (1 each)	26475P-08
10	Overhead Cord Assembly	22607G-01
11	Headband Spring	15093P-01
12	Headpad Assy	40075G-02
13	Stirrup & Clamp Kit	22378G-08

No.	Description	Part No.
14	Push Button Switch	09851P-17
15	Switch Guard	13148P-01
16	Switch Cap Kit	41090G-13
17	Clip, Cord (4/pk)	15125P-02
18	Left Dome	11696P-40
19	Boom Attachment Kit	12840G-19
20	Kit, Boom Assembly w/Att.	41090G-12
21	M-77 Electret Mic	09168P-35
22	Mic Protector Pkg	40062G-02
23	Comm Cord Kit	18028G-75
24	Sleeve, Bend Relief	15333P-01
25	Connector, Electrical	09226P-02

ELECTRICAL SCHEMATIC
MODEL H4230

