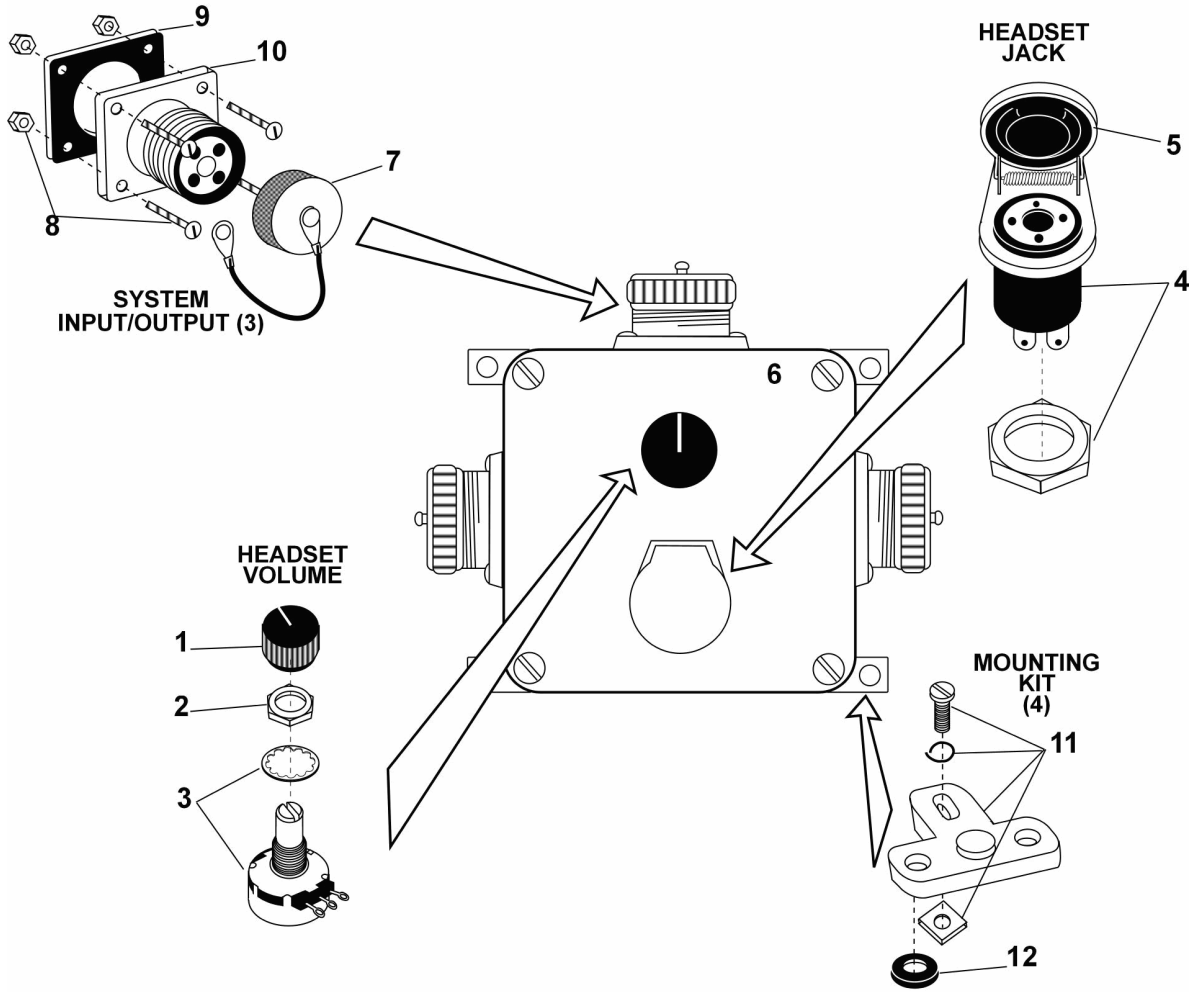


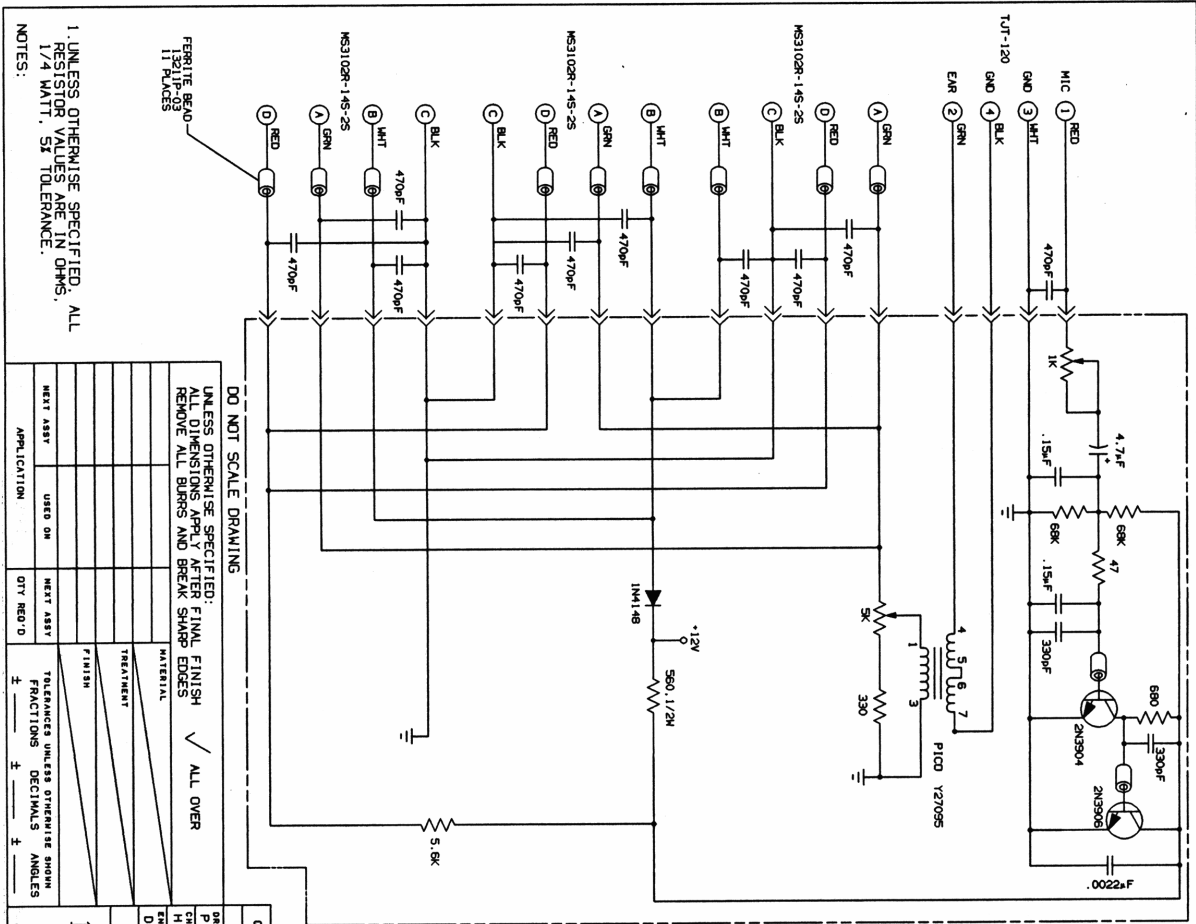
**PARTS LIST
MODEL U3817**



No.	Description	Part No.
1	Knob	09347P-15
2	Shaft Seal Nut	13145P-34
3	Volume Control	09349P-30
4	Headset Jack	09228P-53
5	Jack Cover	15354P-01
6	Box	26497P-25

No.	Description	Part No.
7	Cap (and nylon cord)	13238P-01
8	Screws and Nuts (4 ea.)	18900G-01
9	Gasket	13176P-03
10	Connector (4 socket)	00084M-04
11	Mounting Kit	09865P-03
12	Grommet (4 ea.)	18900G-08

ELECTRICAL SCHEMATIC MODEL U3817



NOTES:
1. UNLESS OTHERWISE SPECIFIED, ALL RESISTOR VALUES ARE IN OHMS, 1/4 WATT, 5% TOLERANCE.

DO NOT SCALE DRAWING	
UNLESS OTHERWISE SPECIFIED: ALL DIMENSIONS APPLY AFTER FINISH REMOVE ALL BURS AND BREAK SHARP EDGES	ALL OVER
MATERIAL	TREATMENT
FINISH	TOLERANCES UNLESS OTHERWISE SHOWN FRACTIONS DECIMALS ANGLES
±	±
±	±
±	±
APPLICATOR	USED ON
NEXT ASSY	QTY REQ'D
NEXT ASSY	QTY REQ'D

DATE	01 APR 92
DESIGNED BY	P. GRIFFIN
CHECKED BY	H. J. TOBINO
ENG. APPROVAL	D. P. CHAFFE
DATE	07 APR 92
DATE	11 APR 92
19514P-19	(10-01)
SCALE	71483
CONTRACT NO.	C EL40317G-01
WT.	SHEET
REV	A

QTY	ITEM	PART NO.	DESCRIPTION	MATERIAL	SPECIFICATION
LIST OF MATERIALS					

David Clark Company Inc.
WIRING DIAGRAM
SCHEMATIC
HEADSET STATION
WORCESTER, MA 01515-0054

REVISIONS		DATE	APPROVED
SYM	DESCRIPTION	08 OCT 01	J.D. DPC
A	SEE ECN 12781		

40317G-01 A