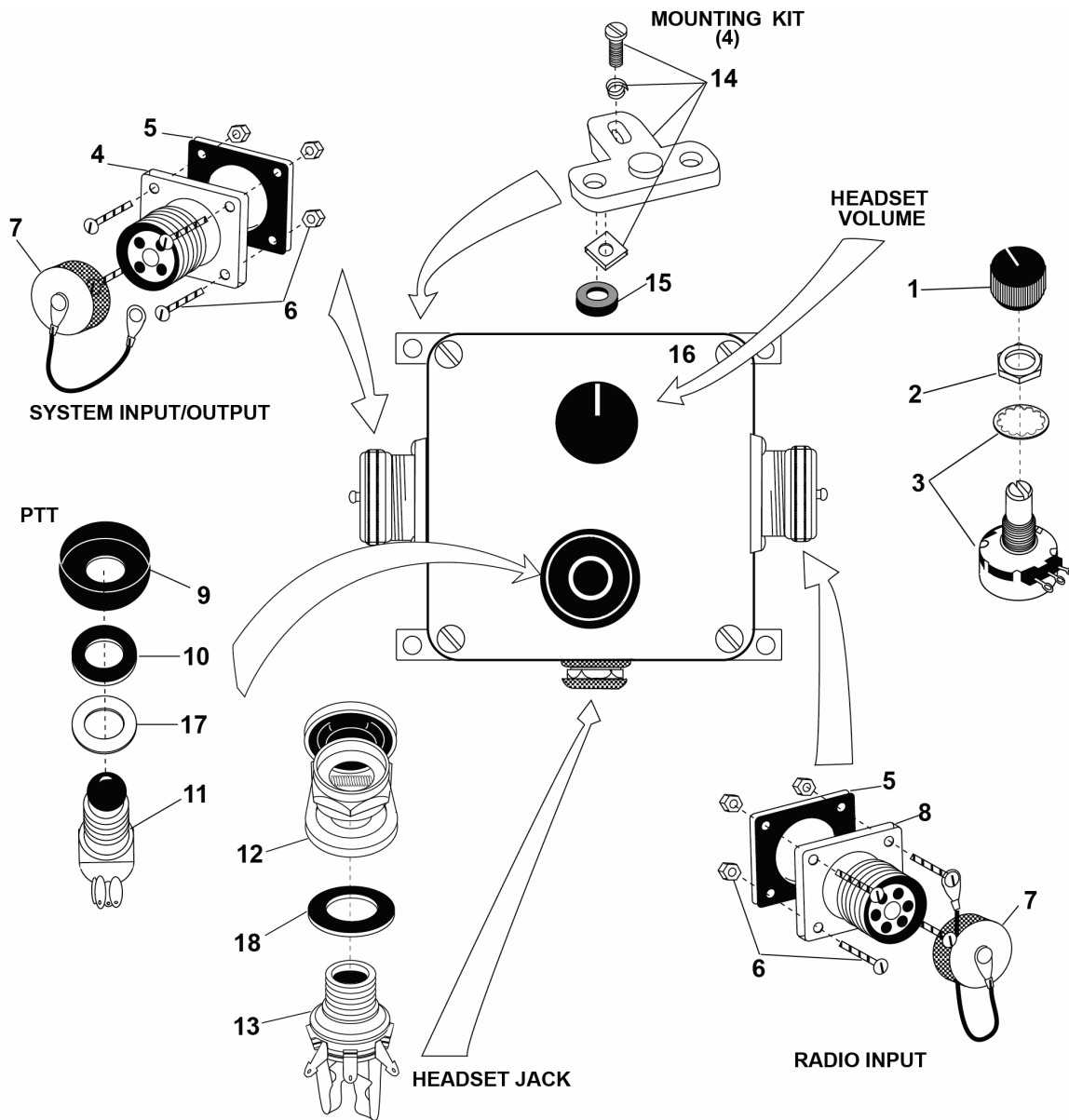


**PARTS LIST  
MODEL U3811**



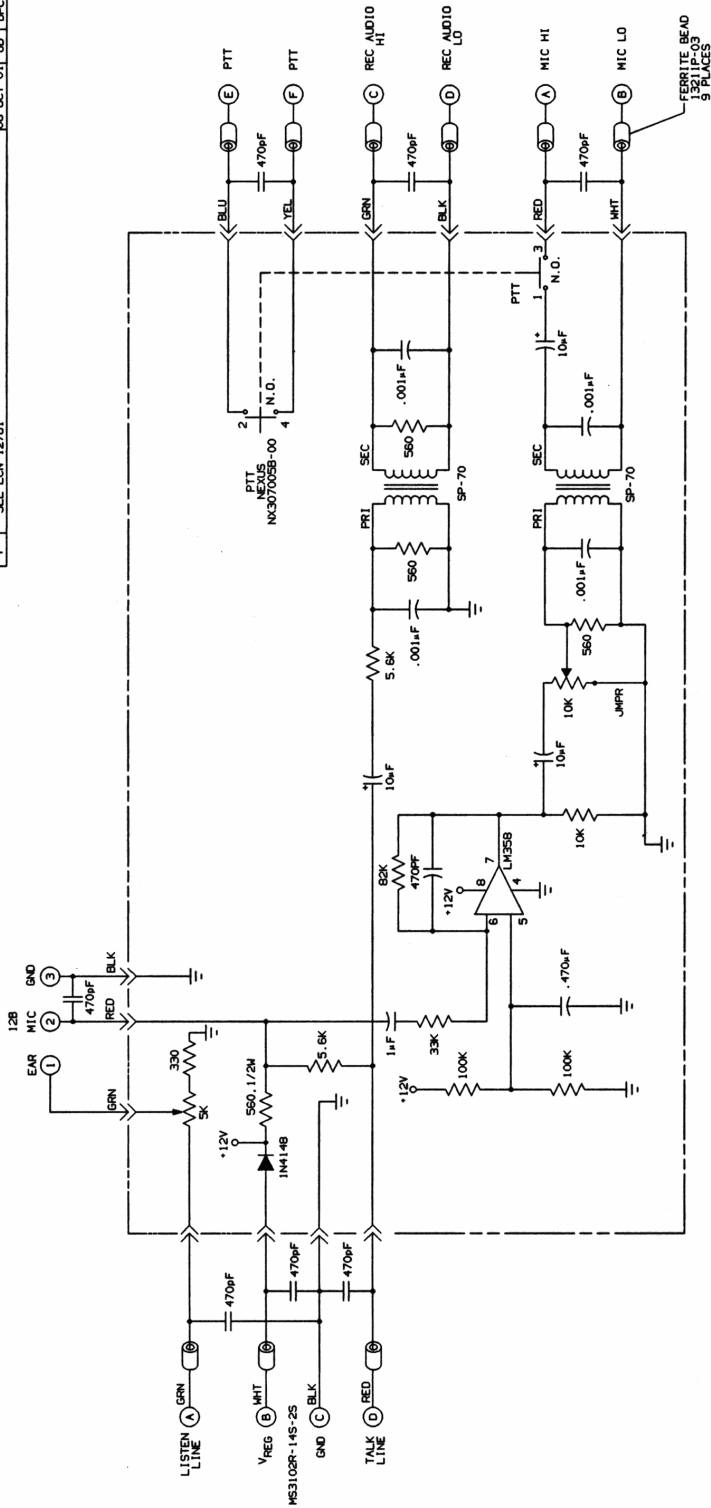
No.	Description	Part No.
1	Knob	09347P-15
2	Shaft Seal Nut	13145P-34
3	Volume Control	09349P-30
4	Connector (4 socket)	00084M-04
5	Gasket	13176P-03
6	Screws and Nuts (4 ea.)	18900G-01
7	Cap (and nylon cord)	13238P-01
8	Connector (6 Socket)	00084M-05
9	Guard, Push Button	26553P-01

No.	Description	Part No.
10	Neoprene Washer (10/pk)	23100G-07
11	Push-To-Talk Switch	09851P-28
12	Jack Cover (with Nut)	09518P-04
13	Headset Jack	09228P-03
14	Mounting Kit	09865P-03
15	Grommet (4 ea.)	18900G-08
16	Box	26497P-10
17	Flat Washer (10/pk)	23100G-08
18	Neoprene Washer (10/pk)	18900G-39

# ELECTRICAL SCHEMATIC MODEL U3811

18932G-01 F

REVISIONS		
SYN	DESCRIPTION	DATE
A	SEE EON 10208	24 JUN 86
B	SEE EON 10314	17 MAR 86
C	SEE EON 10447	07 NOV 85
D	SEE EON 10578	17 SEP 85
E	SEE EON 10835	17 SEP 81
F	SEE EON 12781	08 OCT 01



QTY	ITEM	PART NO.	DESCRIPTION	MATERIAL	SPECIFICATION
LIST OF MATERIALS					
			<b>David Clark COMPANY INC.</b> WORCESTER, MA 01615-0054		
			<b>WIRING DIAGRAM SCHEMATIC MODEL U3811</b>		
			<b>19507P-49 (10-01)</b>		
			DATE 15 AUG 86 DRAWING NO. 71483 CONTRACT NO. C EL18932G-01 SCALE _____ SHEET _____ OF _____		
DO NOT SCALE DRAWING UNLESS OTHERWISE SPECIFIED: ALL DIMENSIONS APPLY AFTER FINAL FINISH REMOVE ALL BURRS AND BREAK SHARP EDGES					
ALL OVER ✓					
MATERIAL TREATMENT FINISH TOLERANCES UNLESS OTHERWISE SHOWN FRACTIONS DECIMALS ANGLES ± _____ ± _____ ± _____					
NEXT ASSY USED ON NEXT ASSY QTY REQ'D APPLICATION					
NOTES: 1. UNLESS OTHERWISE SPECIFIED, ALL RESISTOR VALUES ARE 1/4 WATT, 5% TOLERANCE.					