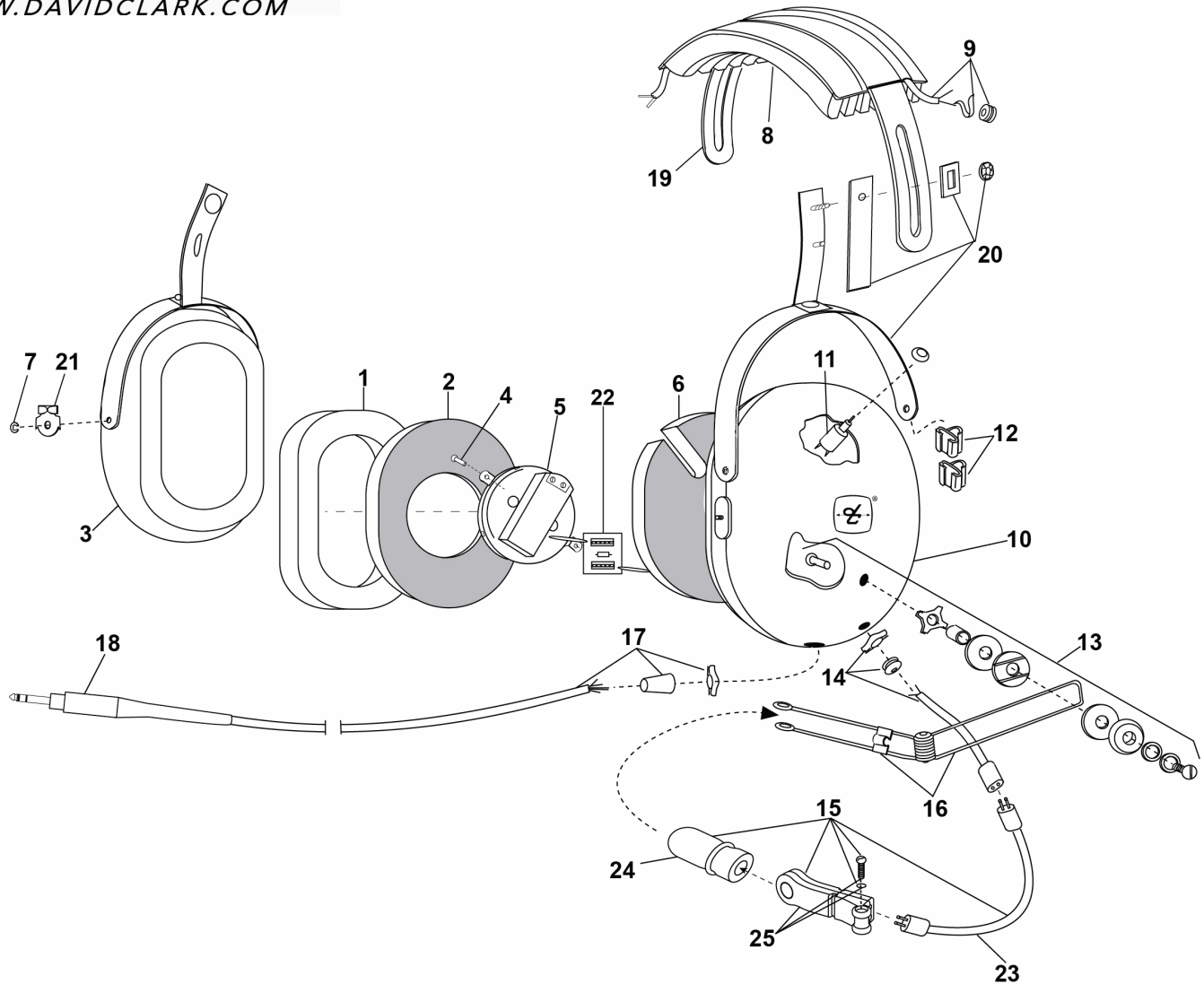


**PARTS LIST  
MODEL H3331**


No.	Description	Part No.
1	Earseal (pair)	18316G-02
2	Dome Filter	25629P-03
3	Right Dome	11696P-12
4	Screws (10/pk)	13180P-03
5	Earphone Assembly	10376G-17
6	Dome Filter	26475P-02
7	Retaining Ring (10/pk)	00009M-03
8	Headband Assembly	12409G-26
9	Overhead Cord Assembly	22607G-01
10	Left Dome	11696P-28
11	Switch, Push-to-Talk	09851P-04
12	Clip, Cord (4/pk)	15125P-02
13	Boom Guide Kit	12840G-01

No.	Description	Part No.
14	Microphone Cord Assy Kit	10405G-05
15	DC-1A Microphone w/Cord	12948G-14
16	Microphone Boom Assy	12765G-04
17	Comm Cord Assy Kit	18028G-30
18	Kit, 1/4" Plug	41090G-32
19	Headband Spring	25630P-01
20	Stirrup Assembly	22378G-01
21	Dome Stop	15097P-01
22	PCB Assembly	18289G-13
23	Microphone Cord Assembly	10516G-14
24	Screen, Wind, Mic	40062G-06
25	DC-1A Microphone	18920G-04

# ELECTRICAL SCHEMATIC MODEL H3331

