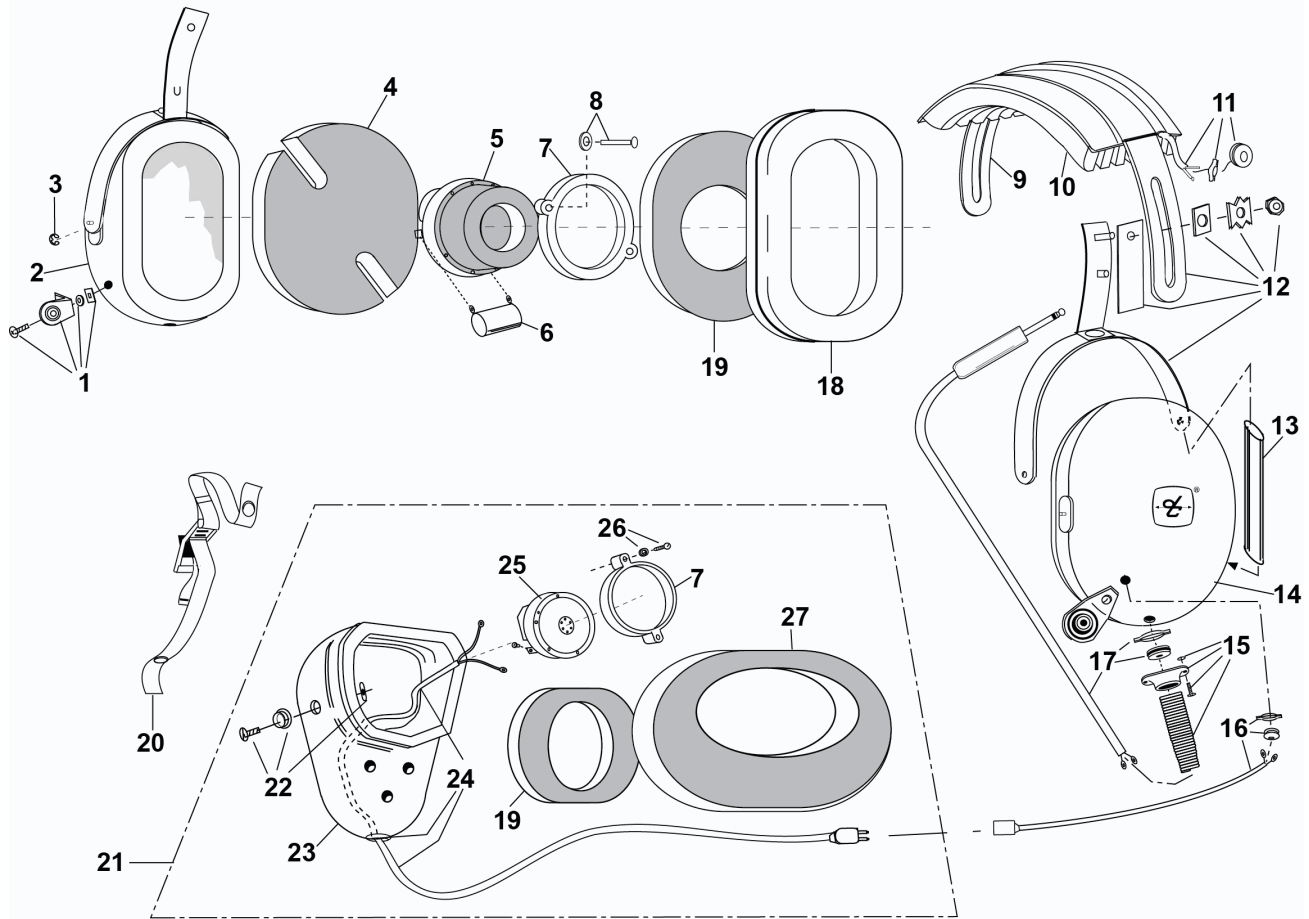


**PARTS LIST
MODEL HSC-61C**


No.	Description	Part No.
1	Snap Holder Assembly Kit	12359G-02
2	Dome, Right	17440P-04
3	Retaining Ring (10/pk)	00009M-03
4	Dome Filter	26475P-02
5	Earphone Assembly	10376G-05
6	Capacitor with Terminals	18069G-01
7	Receiver and Mic Holder	25669P-01
8	Screw & Washer Kit (10/pk)	18338G-01
9	Headband Spring	25630P-01
10	Headpad Assembly	10133G-41
11	Overhead Cord Assembly	22607G-01
12	Stirrup Assembly	22378G-01
13	Heat Shrinkable Tubing (10/pk)	18326G-01
14	Dome, Left (Microphone Side)	17440P-03

No.	Description	Part No.
15	Spring & Base Assembly	22608G-01
16	Mic Jack Cord Kit	10405G-05
17	Communication Cord Assembly Kit	18028G-21
18	Earseal (pair)	18316G-02
19	Dome Filter	25629P-03
20	Adjustable Strap Assembly	22386G-01
21	Shield Assembly with Microphone	22654G-01
22	Snap Stud Kit	18314G-02
23	Microphone Shield	11389P-05
24	Microphone Cord Assembly Kit	18315G-05
25	Microphone UA 1614-5S4	09168P-26
26	Screw and Washer Kit (10/pk)	18338G-02
27	Cushion, Mic Shield Assy	18417G-02

ELECTRICAL SCHEMATIC
MODEL HSC-61C

