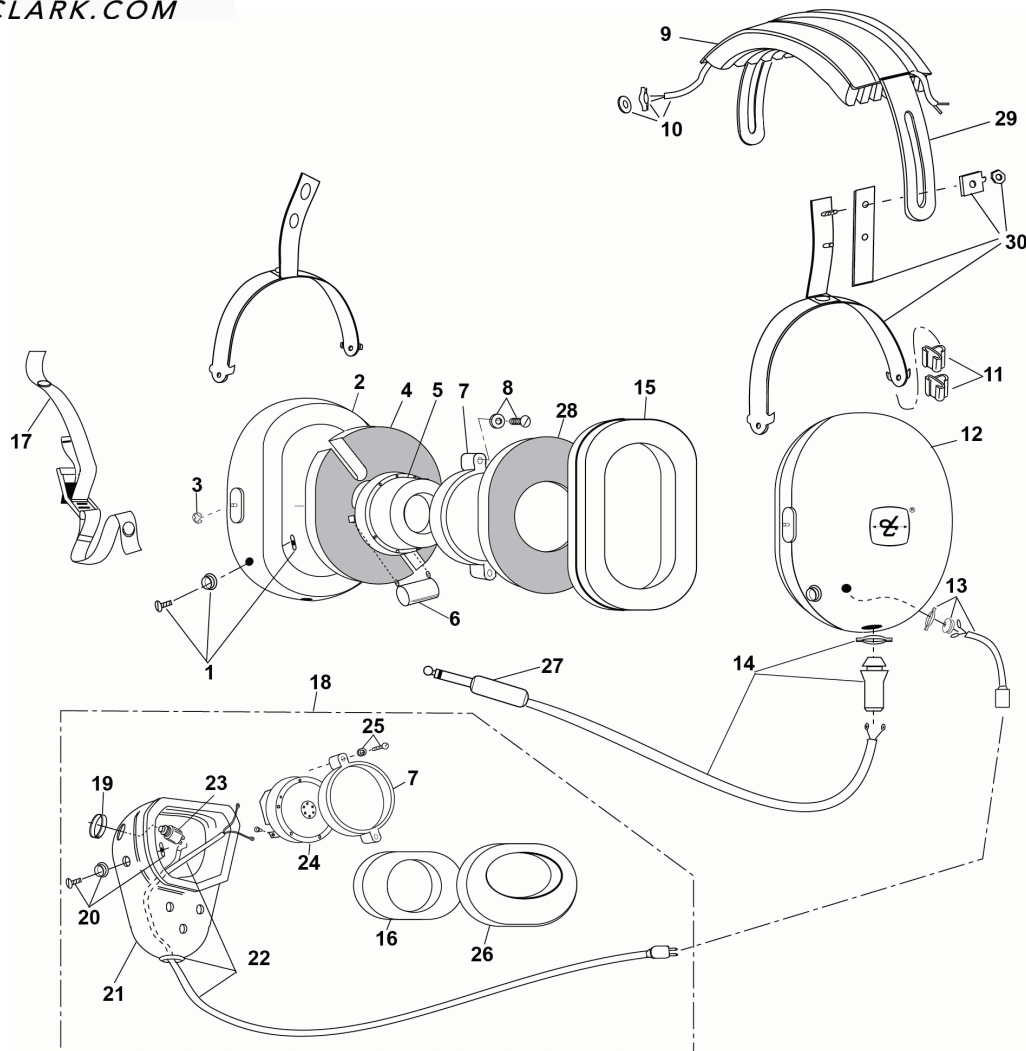


**PARTS LIST  
MODEL H5010**


No.	Description	Part No.
1	Snap Stud Kit	18314G-01
2	Dome, Right	11353P-22
3	Retaining Ring (10/pk)	00009M-03
4	Dome Filter	26475P-02
5	Earphone Assembly	10376G-05
6	Capacitor with Terminals	18069G-01
7	Receiver and Mic Holder	25669P-01
8	Screw & Washer Kit (10/pk)	18338G-01
9	Headpad Assembly	10133G-41
10	Nape Cord Kit	22607G-01
11	Clip, Cord (4/pk)	15125P-02
12	Dome, Left (Mic Side)	11353P-21
13	Microphone Cord Assy Kit	10405G-05
14	Comm Cord Assy Kit	18028G-17
15	Earseal (pair)	18316G-02

No.	Description	Part No.
16	Dome Filter	25629P-03
17	Adjustable Strap Assembly	10479G-02
18	Shield Assy with Mic	10485G-03
19	Guard, Push Button	26553P-01
20	Snap Stud Kit	18314G-01
21	Microphone Shield	11389P-10
22	Microphone Cord Assy Kit	10472G-05
23	Push-To-Talk Switch	26619P-29
24	Microphone UA 1614-5S4	09168P-26
25	Screw and Washer Kit (10/pk)	18338G-02
26	Cushion, Mic Shield Assy	18417G-02
27	Connector, Electrical M642/4-3	09227P-42
28	Dome Filter (1 each)	14096P-05
29	Headband Spring	15093P-02
30	Stirrup & Clamp Kit	22378G-08

ELECTRICAL SCHEMATIC  
MODEL H5010

