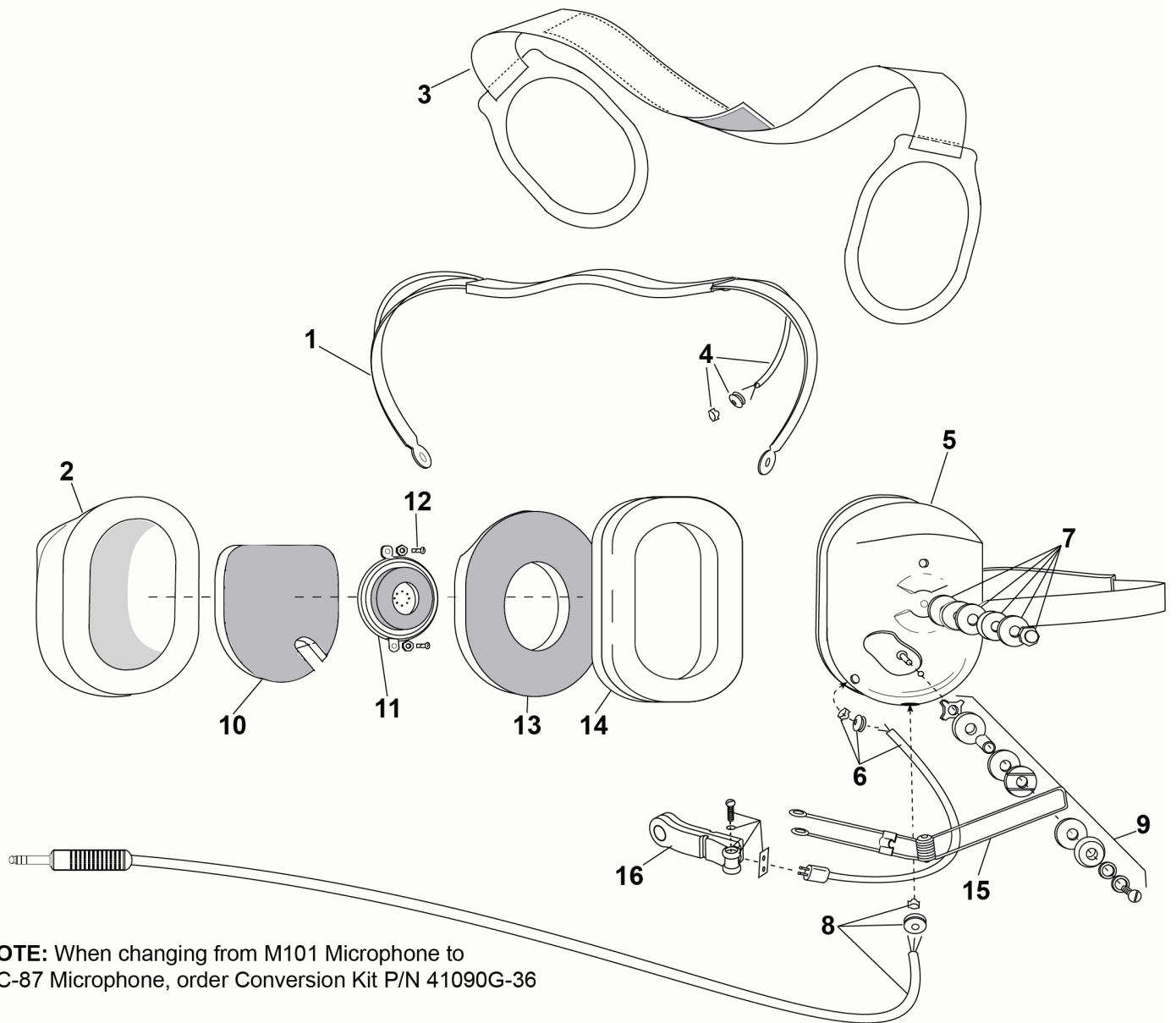


**PARTS LIST  
MODEL H7040**



**NOTE:** When changing from M101 Microphone to DC-87 Microphone, order Conversion Kit P/N 41090G-36

No.	Description	Part No.
1	Spring Assembly	10117G-97
2	Dome, Right	15522P-03
3	Adjustable Strap	10370G-03
4	Overhead Cord Assembly	22607G-01
5	Left Dome	15522P-07
6	Mic Plug Cord Kit	40910G-06
7	Nut and Washer Kit (10 pk)	12052G-02
8	Communication Cord Assy Kit	18028G-18

No.	Description	Part No.
9	Boom Guide Kit	12840G-01
10	Filter	11410P-02
11	Earphone Assembly	10376G-23
12	Screw (10/pk)	00023M-11
13	Filter	25629P-05
14	Earseal (pair)	18316G-02
15	Microphone Boom Assy	12765G-09
16	Microphone DC-87	09168P-88

ELECTRICAL SCHEMATIC  
MODEL H7040

