



U9810PD PANEL DISPLAY INSTALLATION INSTRUCTIONS

Panel Display Mounting and Installation

The model U9810PD Panel Display (DCCI P/N 40879G-01) is an integral and necessary part of the Series 9800 System (ref. Fig. 1 for its location in the overall 9800 System). The U9810PD must be used with a U9800S Master Station, appropriate cables, headsets, etc. See "Series 9800 Marine Intercom System Installation and Operation Guide" for operating instructions.

The U9810PD Panel Display comes with a mounting nut, a 3-inch by 3-inch sealing gasket, and a cover. This sealing gasket has a 1.30 inch diameter hole for mounting so that it can be slid over the threaded extension on the rear of the display. Before mounting the Panel Display, remove its cover and slide the sealing gasket over the threaded extension on the rear of the display. Align the square sides of the gasket with the edges of the Panel Display so that the two are parallel to the eye before sliding the gasket onto the rear of the display (ref. Fig.2). This gasket, along with the mounting nut provided will act like a compression gasket when the system is being mounted to the control panel, and the mounting nut is tightened against the back of the user's control panel.

The Panel Display will mount to surfaces that range in thickness from .032 inches thick to 0.875 inches thick. The actual surface material doesn't matter since the Panel Display is made from ABS plastic (which is inert to any material found in marine applications). The display unit is weather tight and will keep the electronics inside dry from water spray.

To mount the Panel Display, select a flat surface on the boat's control panel which is clearly visible to the captain and co-captain and which is accessible to them while driving the boat. It may be necessary for them to occasionally make adjustments to the sensitivity settings of the intercom while the boat is under way so access to the Panel Display is important. Also, when mounting the Panel Display, it is important that the mounting surface allows enough space around it so that nothing interferes with the Panel Display housing.

Be sure to check the clearance behind the control panel to ensure that there is enough clearance to accommodate the cable connector that plugs into the rear of the Panel Display. The Panel Display connects to the U9800S Master Station via the Panel Display Cable (Model C98-20PD/40892G-03). There should be enough space behind the panel to allow the cable to turn 90 degrees at a distance of 4 inches from the front surface of the control panel. Also, it will be necessary to have some room around the mounting nut to allow for proper tightening and to bring the cable and connector in from the rear to mate with the Panel Display's connector.

Use the layout template in Fig. 3 to verify that the Panel Display faceplate clears other instrumentation around it before cutting the 1.312 inch diameter "D" mounting hole out through the control panel into which the threaded extension of the Panel Display will fit.

The layout template shown in Fig. 3 also has a template for the “D” mounting hole. It is recommended that the 1.312 inch “D” mounting hole profile be cut out of the template in Fig.3 by the installer using a pair of scissors, and that the profile of the hole be traced onto the control panel using a lead pencil. This should make the mounting hole profile clearly visible on the control panel before making the cut. Once the 1.312 inch diameter “D” mounting hole is cut into the panel, it will be easier to push the cable through the mounting hole from behind the control panel and connect it to the Panel Display on the front side of the panel, before mounting the display to the panel. The connector is the same on both ends of the cable so it doesn’t matter which end of the cable is plugged into the rear of the Panel Display.

To connect the Panel Display to the Panel Display Cable, do the following steps:

1. Situate the Panel Display Cable, Model C98-20PD, behind the control panel. Remember, the connectors at each end of the Panel Display Cable are both the same so it doesn’t matter which end of the cable gets connected to the Panel Display.
2. Slide the Panel Display mounting nut over the end of the Panel Display Cable which is to connect to the Panel Display. Make sure that the mounting nut flange faces the Panel Display.
3. Snake the Panel Display Cable through the “D” mounting hole in the control panel from back to front.
4. Grasp the connector on the front side of the boat’s panel and line up the keyway with the connector on the threaded extension of the Panel Display.
5. Push the Panel Display cable connector into the Panel Display connector and turn the threaded collar of the connector firmly clockwise until it locks (about ¼ turn clockwise). **When locked, the cable connector should not disengage when you pull firmly back on it. The collar of the Panel Display Cable Connector should also feel rigid.**

Once the cable has been connected to the rear of the Panel Display, push the display’s threaded extension through the mounting hole and bring the nylon mounting nut (now snaked over the cable behind the control panel) up against the threaded extension. **Be sure that the sealing gasket is centered and aligned between the Remote Panel Display and the panel before tightening the mounting nut!!!** Now turn the mounting nut clockwise until it grabs the rear surface of the control panel. Do not over-tighten, you may strip the threads of the Panel Display’s threaded extension. The ideal tightness will ensure that the Panel Display does not turn and the nylon mounting nut cannot be turned counter-clockwise by hand. When this has been accomplished, the gasket behind the Panel Display should be compressed enough so that it acts like a compression washer (it will also cause enough pressure to be invoked against the nylon mounting nut so that it will not work loose while the boat is in standard operating mode).

Snake the cable from behind the Panel Display in the direction of the Master Station. Make the connection to the "PANEL DISPLAY" panel mounted connector on the Master Station using the same procedure described above. Tie any excess loop of the cable under the control panel using tie wraps.

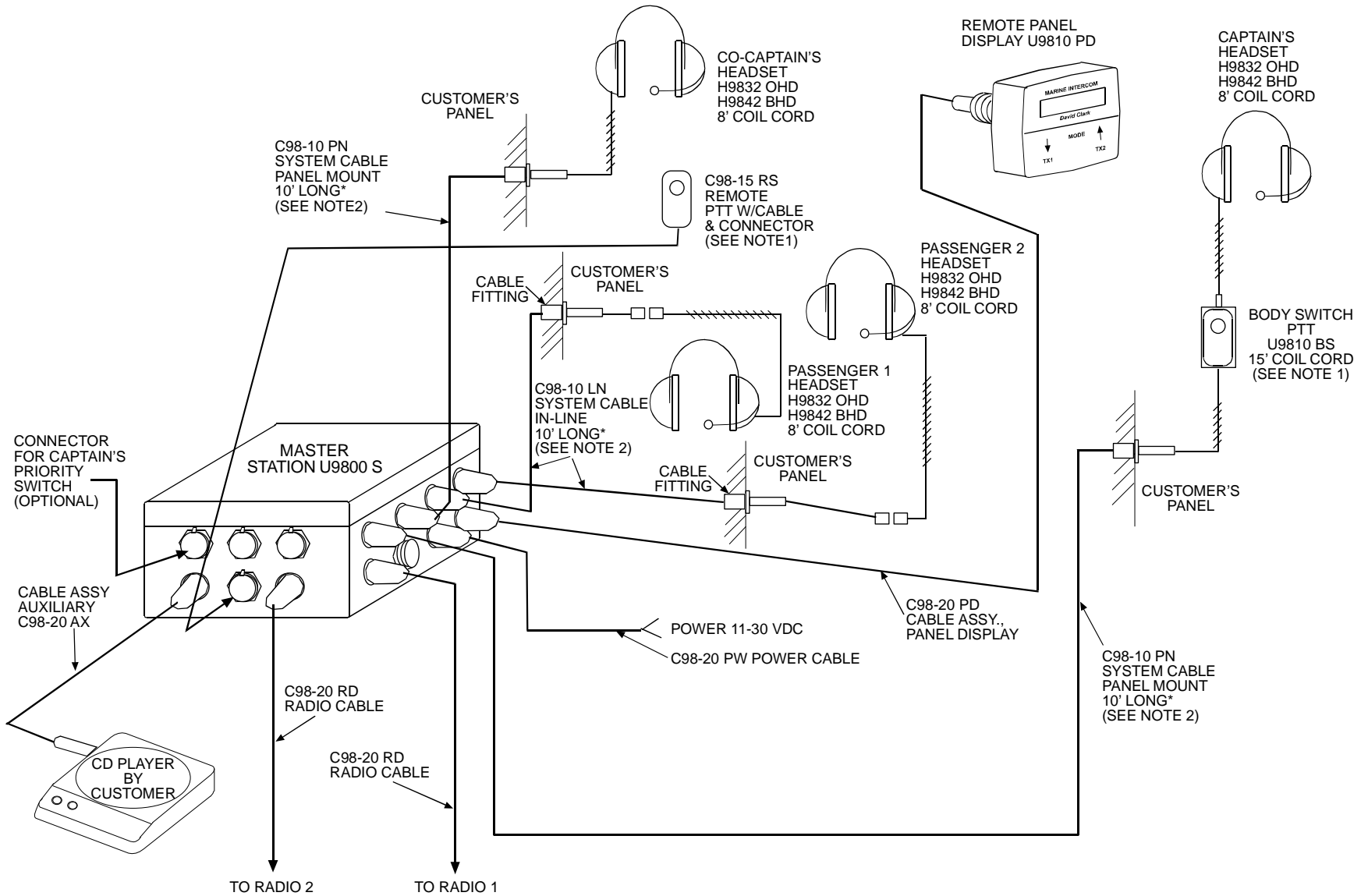


FIG. 1
TYPICAL 4 PERSON SYSTEM LAYOUT

NOTE 1. EITHER A BODY SWITCH PTT OPTION OR REMOTE PTT OPTION MAY BE USED FOR CAPTAIN AND CO-CAPTAIN (SEE APPENDIX "B").

NOTE 2. EITHER AN IN-LINE SYSTEM CABLE OR A PANEL MOUNT SYSTEM CABLE CAN BE USED TO INTERFACE HEADSET TO MASTER STATION (SEE APPENDIX "B").

* OTHER LENGTHS AVAILABLE (SEE APPENDIX B)

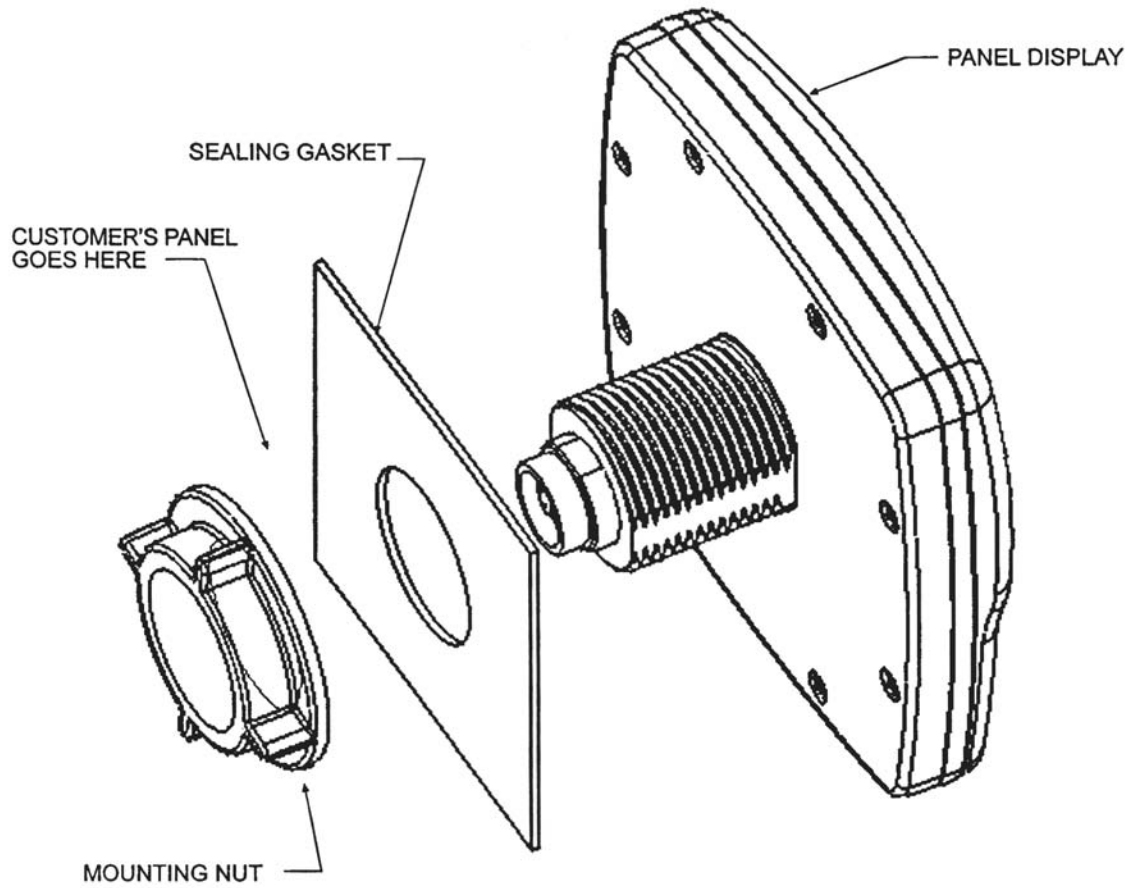


FIGURE 2 REMOTE PANEL DISPLAY

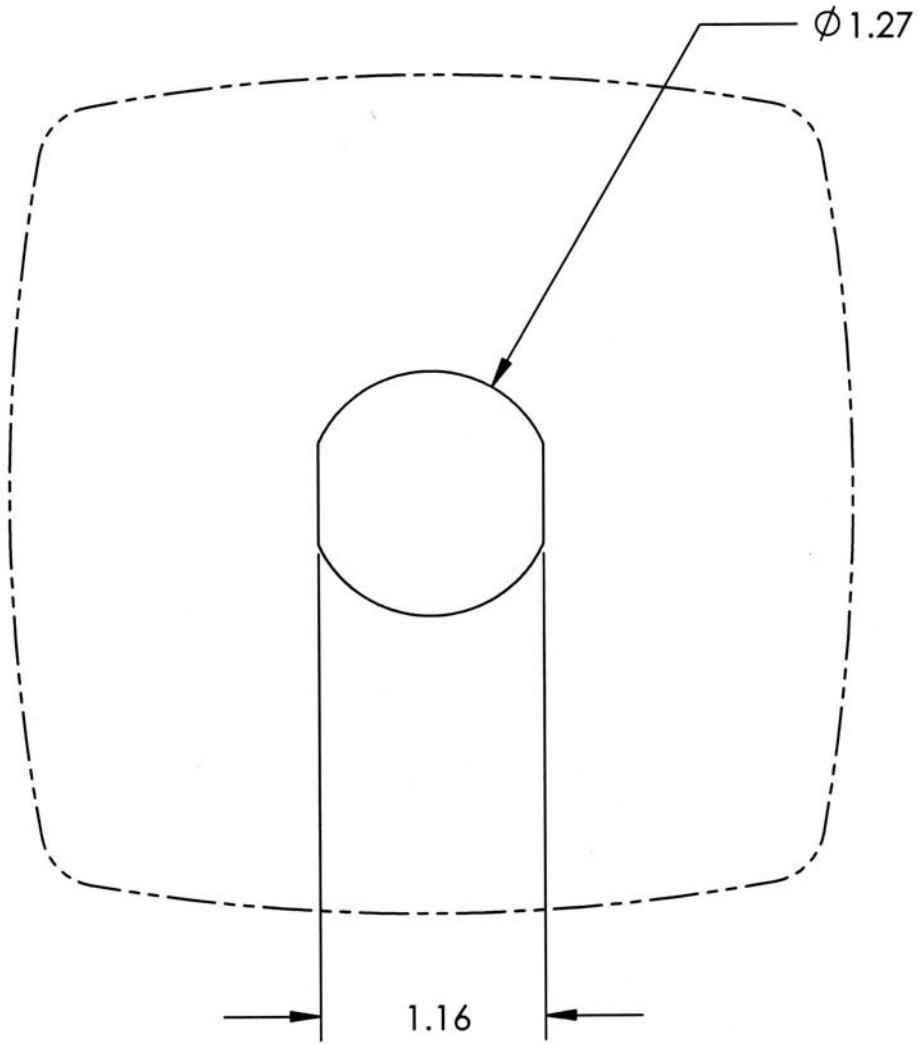


FIGURE 3 PANEL DISPLAY LAYOUT TEMPLATE