



Headsets for Two Way Radios

Q: Why use noise-attenuating headsets?

A: Loud noise presents three serious problems:

1. Unclear communication creates **dangerous** situations.
2. Sustained Exposure to high noise levels causes **hearing loss**.
3. Loud noise causes **Fatigue**.
Drowsy workers = unsafe workers.

**Noise attenuating headsets
reduce all these hazards.**

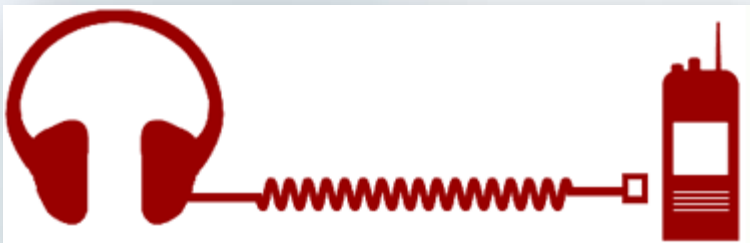


Radio Direct

Radio-Direct headsets need no adapter.

- Less cables = Less cost
- Simple Plug-n-Play use
- No programming or configuring

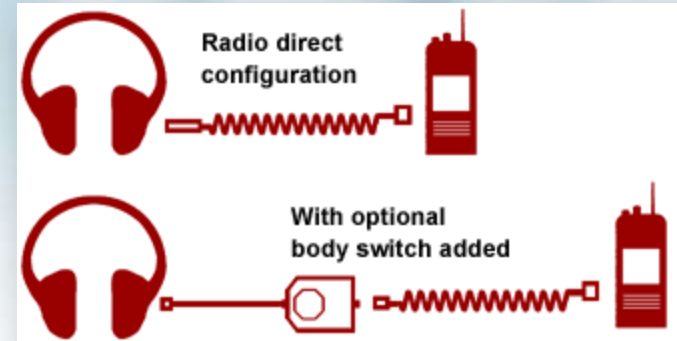
Radio Direct Configuration



Modular H6200-M



A variety of headset styles and cords are available



U6210 Optional In-line Body Switch



Ideal For Countless Applications

Radio Direct headsets are ideal for:

- Fracking / Drilling
- Offshore rigs
- Refineries
- Industrial manufacturing
- Explosives
- Construction
- Fire/EMS applications



If there's a lot of noise, we've got you covered!

Radio Direct IS



Intrinsically Safe

Working in a potentially explosive or hazardous environment?

David Clark intrinsically safe headsets are third party certified to worldwide Intrinsic Safety standards.



**Safe for use in
Class 1 Zone 0
Environments**

Modular H6700-M

Variety of headset styles
and cords available

Marine Grade
Stainless Steel Hardware



Optional U6710 inline body switch

Ultralight Headsets

Long lasting comfort in
low noise environments.



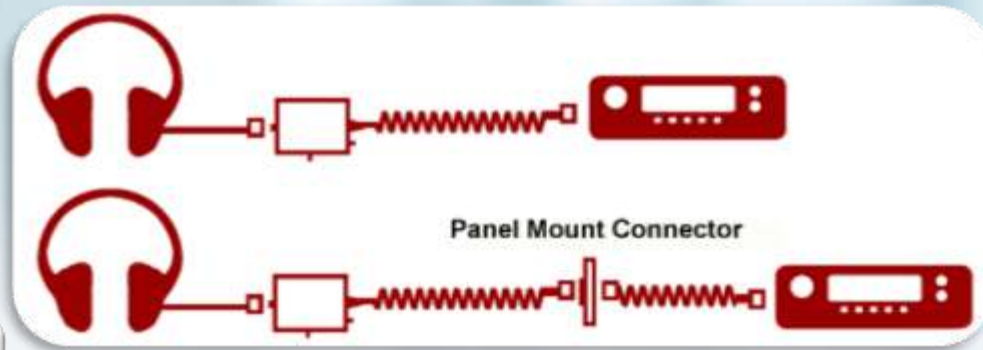
- 7 oz., single ear = 5 oz.
- Works with all C6200 cords including C62-USB
- Aviation quality
- Use U6210 for inline PTT



Mobile Radio Solutions



Radio Specific C3000 Series adapters available for use with H3000 Series headsets.



Universal Adapters allow compatibility of H3000 Series headsets to any mobile radio with accessories connections.



Mobile Radio Solutions

HYBRID

ENC



- Connect to Bluetooth® devices
- Hybrid Electronic Noise Cancelling provides up to 30 dB of protection
- Passive version available
- Single ear version available



Use with all C3000 Series adapters

Find Your Solution!

Use our online Selector Guide to find what solutions are available for your radio



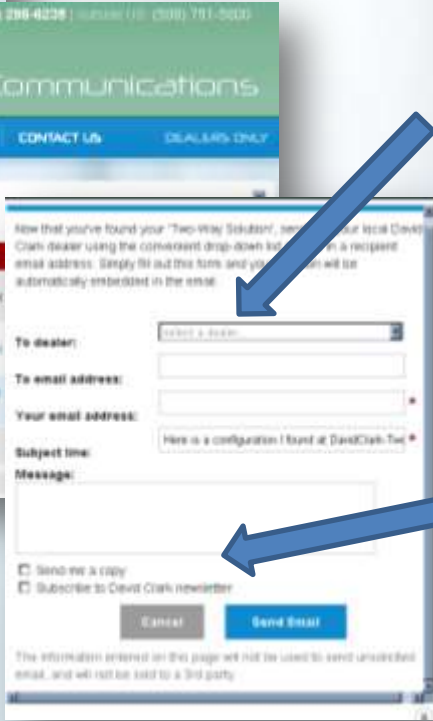
Solutions show up here. This includes solutions from all series.



Select your radio from the list



Select a solution from the list and email or print it.



Copy a dealer on the email to request a quote

Subscribe to our newsletter to get product and company news announcements

Find A Dealer

Visit our website to find a dealer near you!

davidclarkcompany.com/two-way



1. Select your region by clicking on it.
2. Find your dealer by state or province in North America or by country for other regions.

Note: Preferred Dealers are highlighted in gold.

Feel free to also contact us if you have any additional questions
(800) 298-6235 | outside US: (508) 751-5800



Thank you
for your attention!



360 Franklin Street | Worcester | MA | 01604

Company Confidential Notice

This document contains confidential information and is the property of David Clark Company Incorporated. The information contained herein is not to be disclosed to anyone without the expressed written consent of David Clark Company Incorporated.