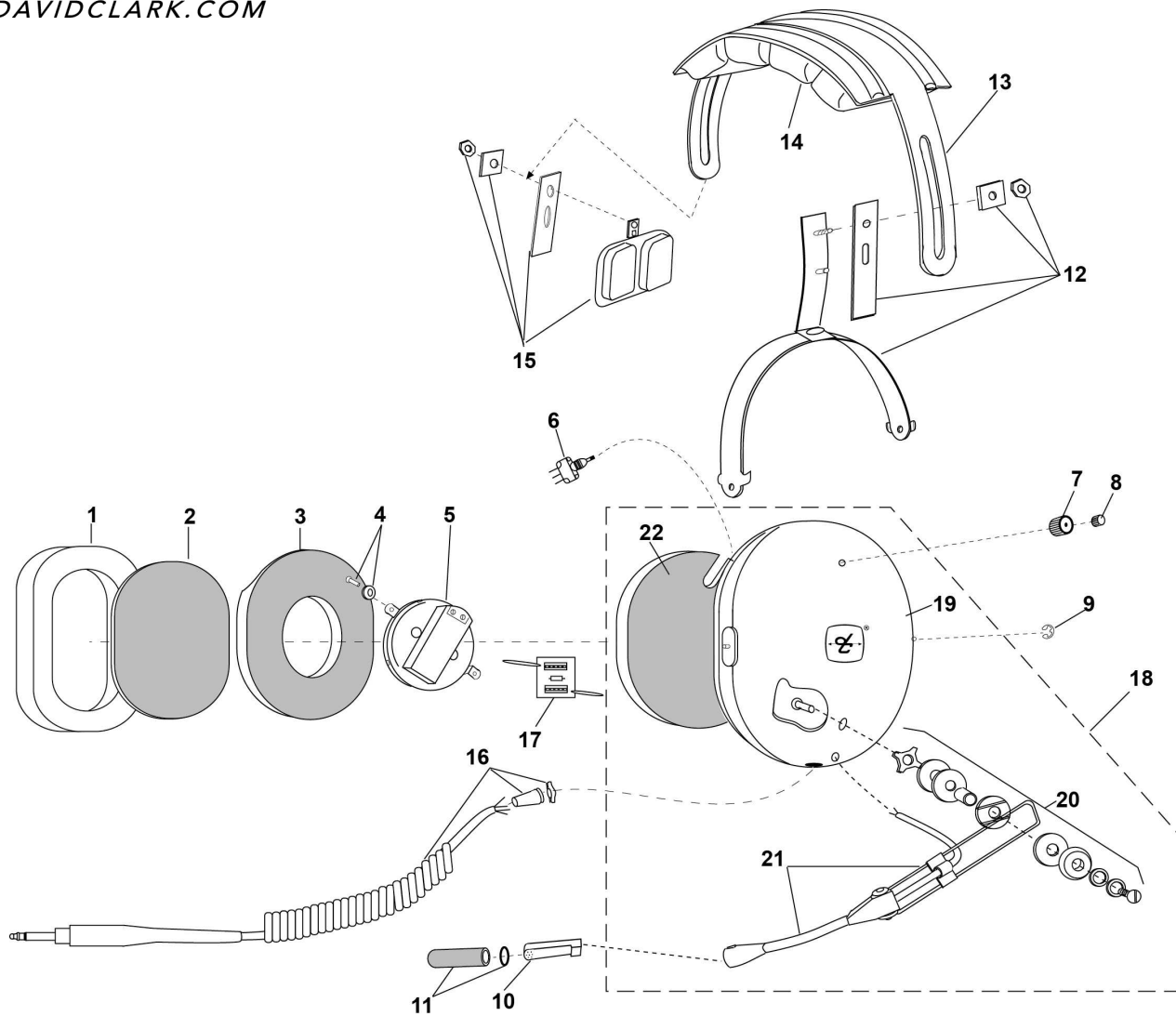


**PARTS LIST  
MODEL H3492**


No.	Description	Part No.
1	Undercut Gel Earseal (pair)	40863G-02
2	Filter (1 each)	14096P-09
3	Dome Filter	25629P-03
4	Screw/Grommet Kit (4 pk)	18900G-47
5	Earphone Assembly	10376G-20
6	Push Button Switch	09851P-17
7	Switch Guard	13148P-01
8	Switch Cap Kit	41090G-13
9	Retaining Ring (10/pk)	00009M-03
10	M-7A Electret Mic	09168P-33
11	Mic Protector Pkg	40062G-02

No.	Description	Part No.
12	Stirrup & Clamp Kit	22378G-11
13	Headband Spring	15247P-01
14	Headpad Assy	40075G-02
15	Temple Pad Assy Kit	18900G-37
16	Communication Cord Assy Kit	18028G-34
17	PCB Assembly	18289G-13
18	Kit, Dome & Mic Boom	40688G-74
19	Dome, Left	15253P-50
20	Boom Attachment Kit	12840G-09
21	Mic Boom & Cord Assy	18740G-05
22	Dome Filter	26475P-02

ELECTRICAL SCHEMATIC  
MODEL H3492

