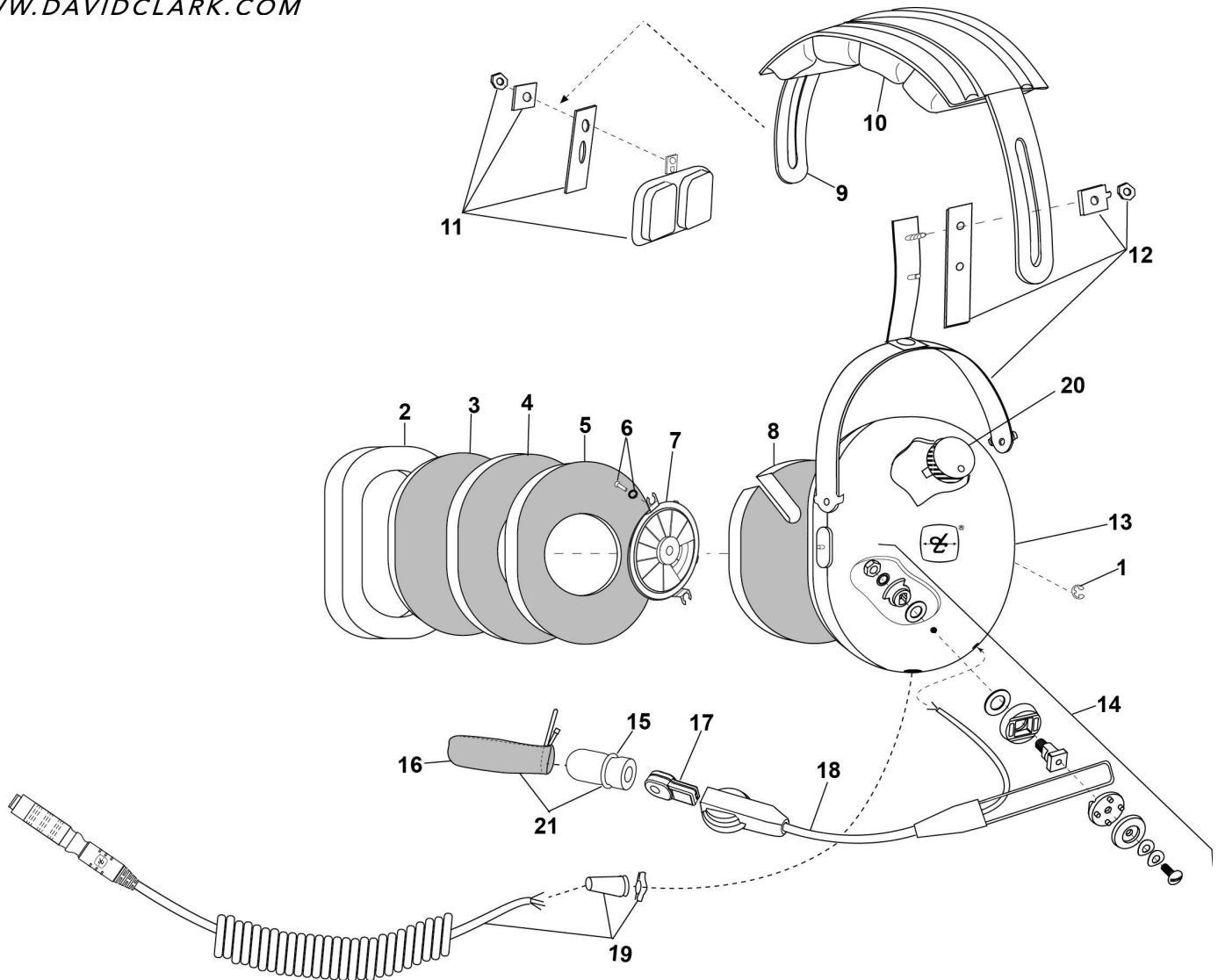


**PARTS LIST
MODEL H9190**


No.	Description	Part No.
1	Retaining Ring (10/pk)	09464P-08
2	Undercut Gel Earseal (pair)	40863G-02
3	Filter (1 each)	14096P-09
4	Dome Filter (1 each)	14096P-05
5	Dome Filter (1 each)	25629P-03
6	Screw/Grommet Kit (10/pk)	18338G-04
7	Earphone Assembly	10376G-55
8	Dome Filter	26475P-02
9	Headband Spring	15671P-01
10	Headpad Assy	40075G-02
11	Temple Pad Assy Kit	18900G-37

No.	Description	Part No.
12	Stirrup & Clamp Kit	22378G-17
13	Dome, Left	15253P-59
14	Boom Guide Kit	12840G-20
15	Screen, Wind, Mic	40062G-06
16	Windscreen Cover w/Tie	18792G-04
17	Microphone M2H (150 OHM)	09168P-76
18	Hybrid Boom w/PTT	18740G-40
19	Comm Cord Assy Kit	41080G-30
20	Volume Control	09349P-57
21	Mic Protector/Windscreen Kit	41090G-23

ELECTRICAL SCHEMATIC MODEL H9190

