

FEATURES AND BENEFITS



40380G-05 Headset Station

Compatible Headsets

Series H3300 Noise Attenuating Headsets
Choose headset based on style and features suited for application.



H3332 Over-the-Head Style, Dual Ear NRR: 24dB
H3342 Behind-the-Head Style, Dual Ear. For use with fire helmet or hard hat. NRR: 24dB
H3341 Same as H3342 except only one earphone, left dome is slotted to hear ambient sound



H3392 Over-the- Head style, Single Ear
DC 3690 Ultra-lightweight, Single Ear

Stand Alone Headset Station provides interface between any David Clark *Series 3000* Noise-Attenuating Headset and Mobile Radios. Includes:

- PTT switch
- Radio transmit LED indicator
- Headset jack
- Listen-level volume control
- Strain relief fitting
- An optional footswitch (P/N 40071G-03) is available for hands-free operation.

Multiple User System:

One 40407G-04 Master Station matched with up to 8 each 40380G-05 Headset Stations and DC 3690 Ultralight headsets. All positions have hands-free intercom and radio push-to-talk. Two conductor and/or six-conductor cabling, as needed, completes the system.

Installation:

Cable connections are achieved through screw-down type terminal strips on the PC boards inside the Master & Headset Stations allowing for solder-free system wiring.

Optional Features:

- Multiple two-way radios via additional modules, contact sales for system design.
- Foot switch for radio push-to-talk

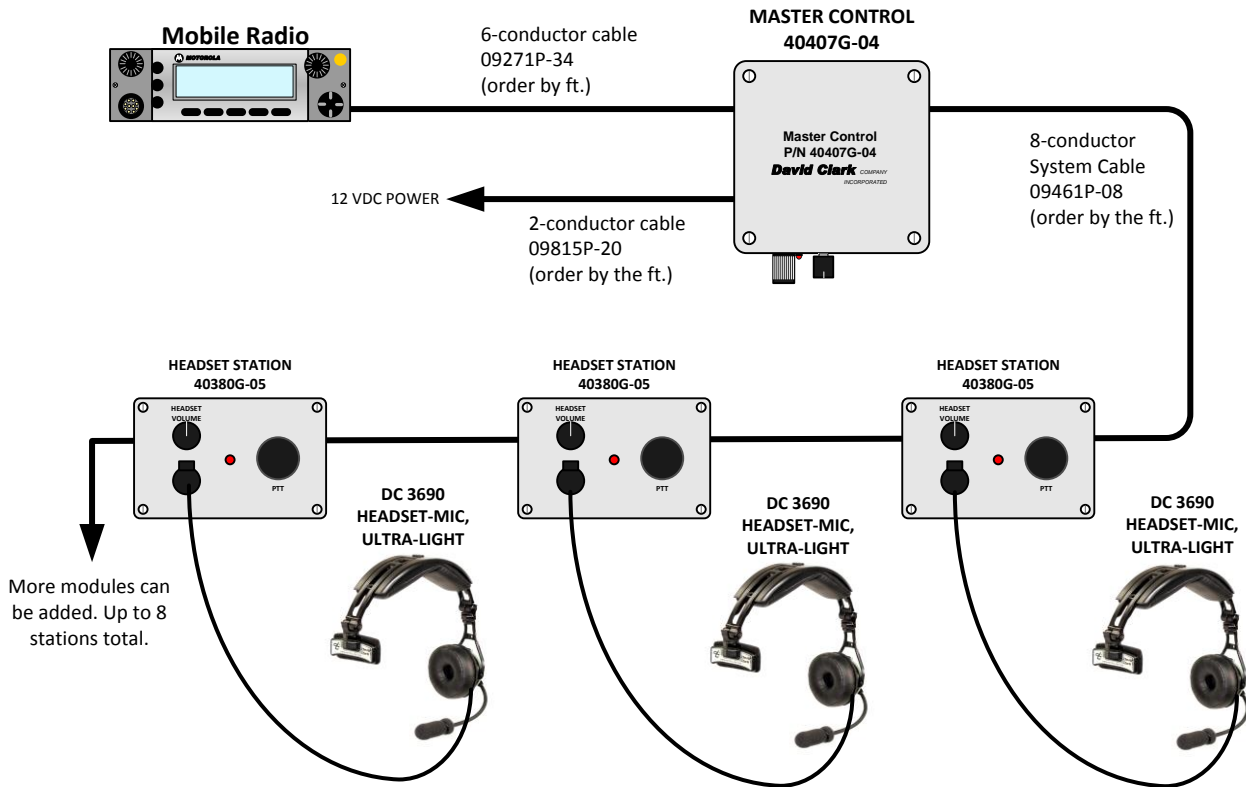


Footswitch (P/N 40071G-03)

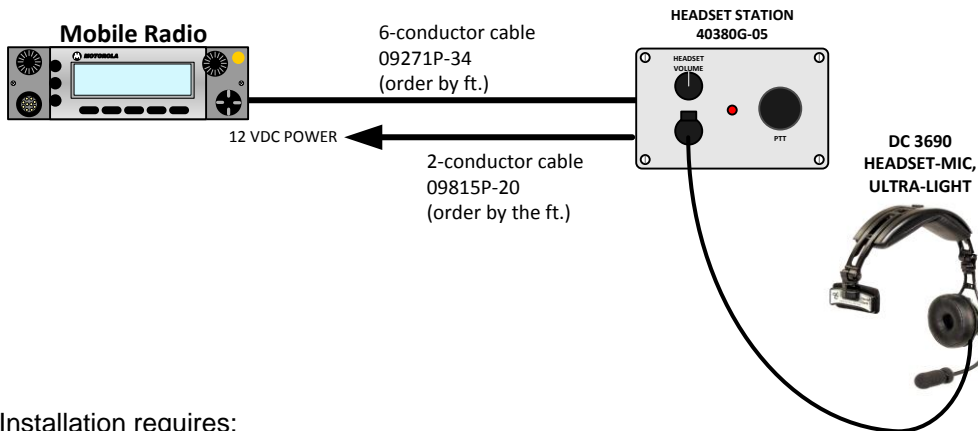
LAYOUT EXAMPLES

FRAC Intercom

Hands free intercom and radio push-to-talk at each position.



Heavy Equipment with Mobile Radio



Installation requires:

1. 3/4" strain relief fitting included with headset station.
2. Two conductor shielded cable P/N **09815P-20** (length must be determined), or customer supplied.
3. Six conductor shielded cable P/N **09271P-34** (length must be determined), or customer supplied.

NOTES: 40380G-05 can be used as stand alone *single* headset station with no master station.
Motorola, Spectra, X9000, or Maratrac radios with advanced head require additional equipment.