



WWW.DAVIDCLARK.COM

Mobile Radio Headset Station

Interface for Mobile Two Way Radios

P/N: 40380G-05

Product Bulletin



40380G-05 Headset Station

Features

- Stand Alone Headset Station** provides interface between any David Clark *Series 3000* Noise-Attenuating Headset and Mobile Radios. Includes:
- PTT switch
 - Radio transmit LED indicator
 - Headset jack
 - Listen-level volume control
 - Strain relief fitting
 - An optional footswitch (P/N 40071G-03) or other remote PTT's are available for hands-free operation.
 - Solder-free wiring (screw-down terminal strips)

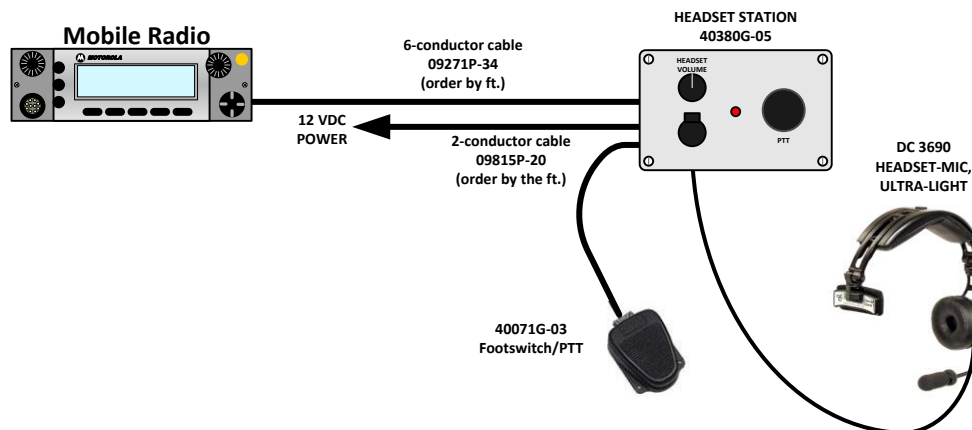
Compatible Headsets

Series H3400 Noise Attenuating Headsets
Choose headset based on style and features suited for application.

- H3432: Over-the-Head, Dual Ear
- H3492: Over-the-Head, Single Ear
- H3442: Behind-the-Head, Dual Ear
- H3441: Behind-the-Head, Single Ear
- DC 3690: Supra-Aural, Single Ear



Layout Example



360 Franklin Street, Box 15054, Worcester, MA 01615-0054 • Tel: 800-298-6235 • Fax: 508-753-5827
• Email: sales@davidclark.com • Web site: www.davidclark.com

Technical data subject to change without prior notice.
Current data available at www.davidclark.com

